

GB

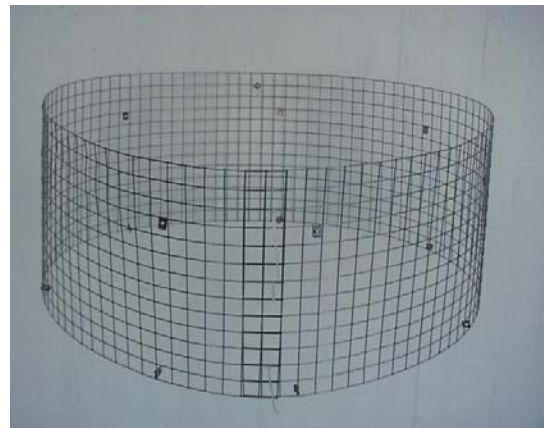
Assembly instruction Inlet through the roof Ø800



Assembly instruction - Inlet



- Tools:**
- 1 drilling machine
 - 1 drill (5 mm)
 - 1 screwdriver (Philip)
 - 1 diagonal cutting nipper



Fold the net into a circle and assemble with cable clips 2,5x98 (N131-063)



Place the bird net in the conic top. Drill holes at each steel-clips. Fasten with drilling screw 4,9x16 w/washer (H71-004)

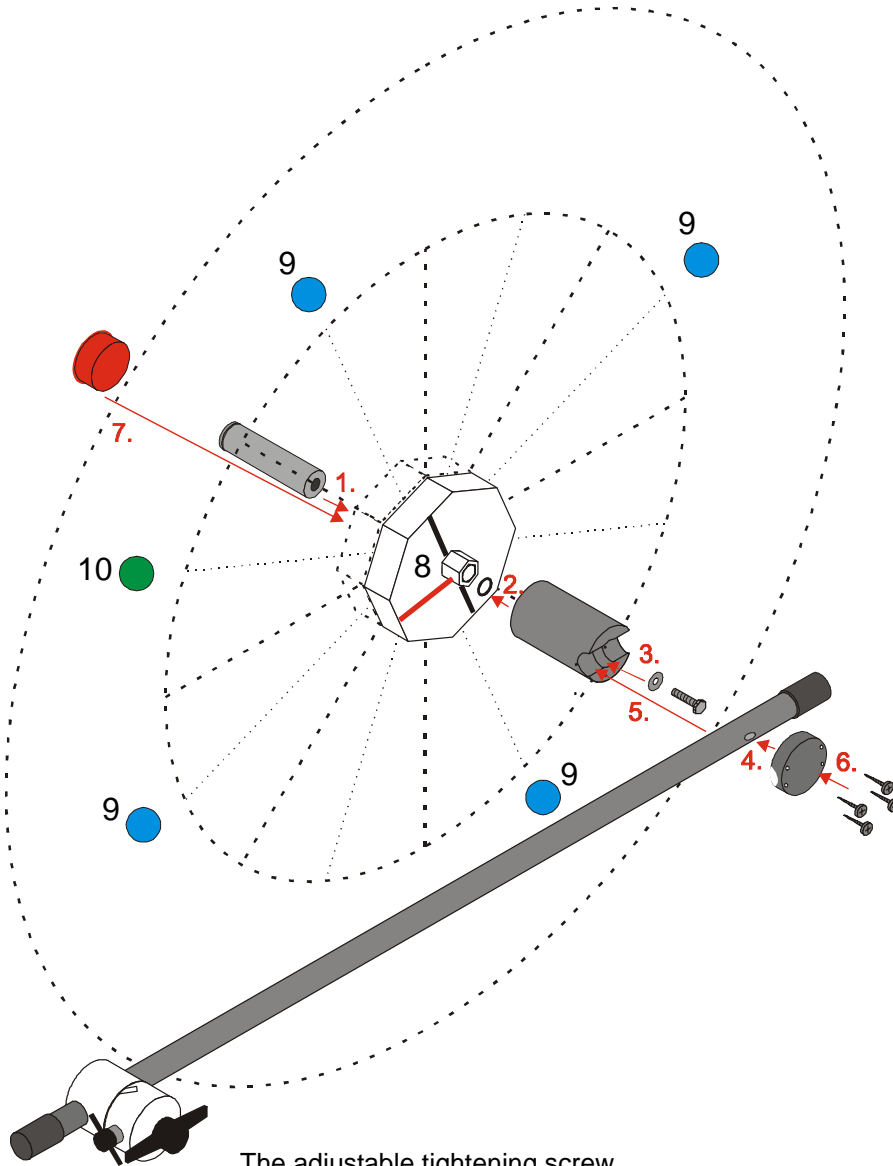


Place the bird net onto the top. Drill holes at each steel-clips. Fasten with drilling screw 4,9x16 w/washer (H71-004)



Top complete

Assembly of regulator arm on star diffusor



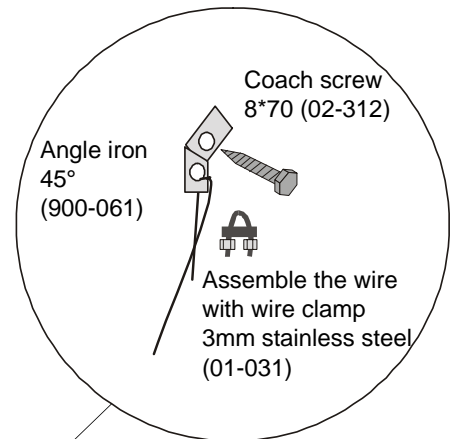
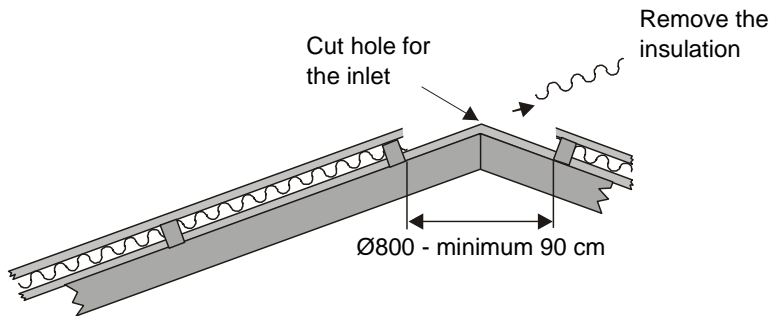
The adjustable tightening screw must point downwards when assembling the wire pulling system

Place the regulator arm parallel with line number 8 on the hub (closed diffusor)

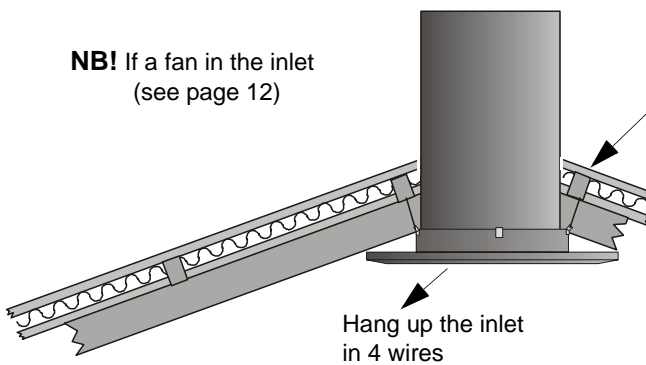
- 9 ● The inlet suspension is placed on level with this point
- 10 ● The cross-stiffening on the backside of the star diffusor is fastened on level with this point. This point must be placed so that a line can be drawn perpendicular to the side wall.

N.B.!! When the star diffusor is hung up, the regulator arm **must** be placed to the left side, when you are standing faced to the wire pulling control center. (see page 13)

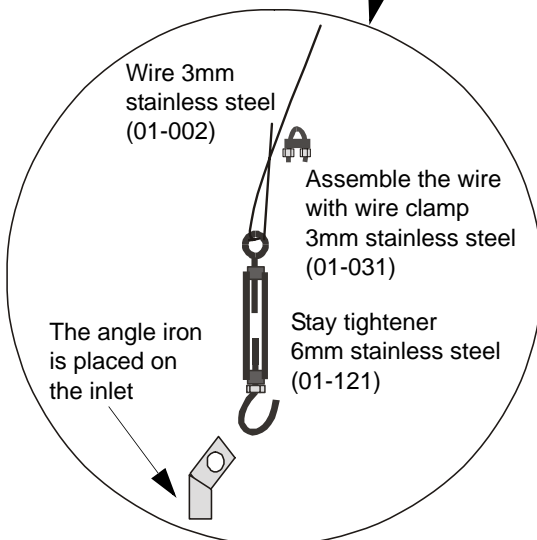
Mounting the inlet in the ridge



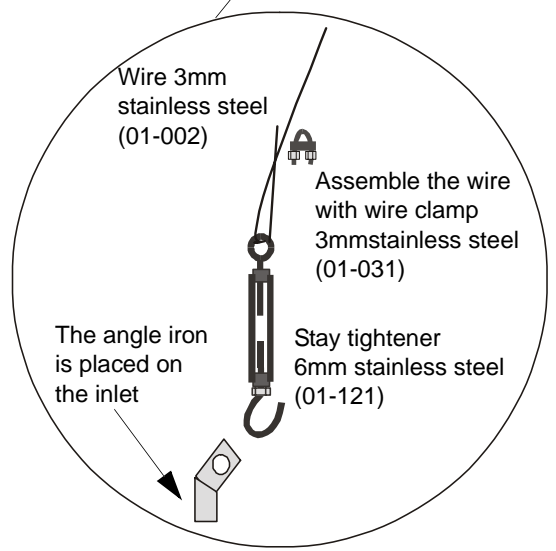
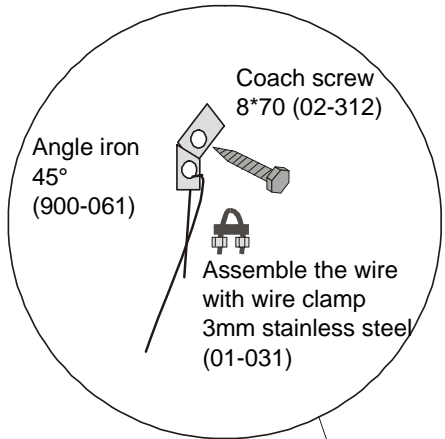
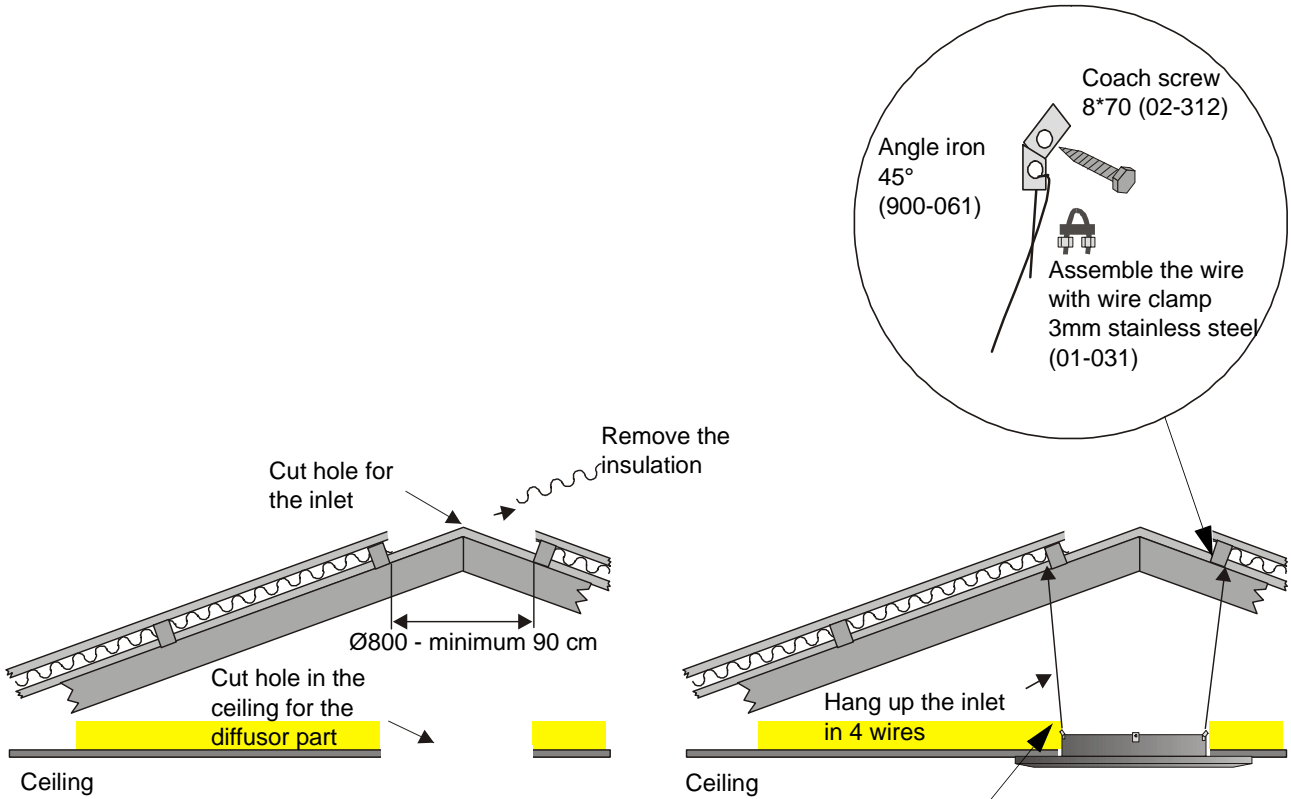
NB! If a fan in the inlet (see page 12)



Mount as high up against the rafters as possible

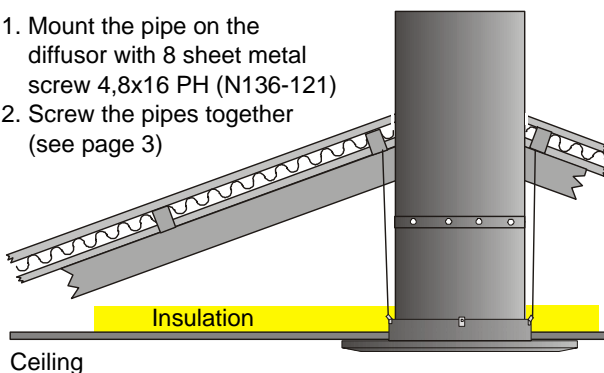


Mount the inlet in the ridge - through the loft

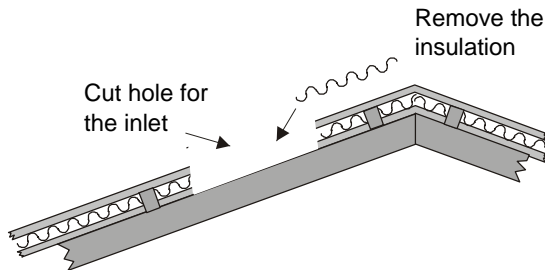


NB! If a fan in the inlet (see page 12)

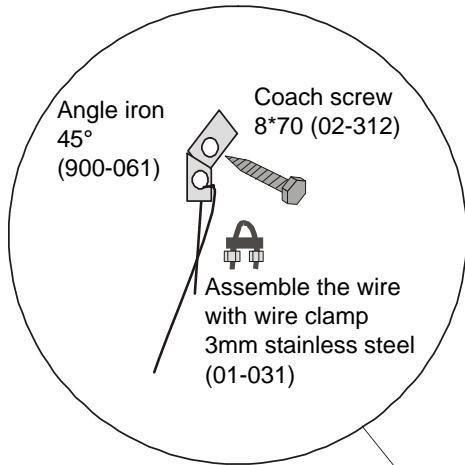
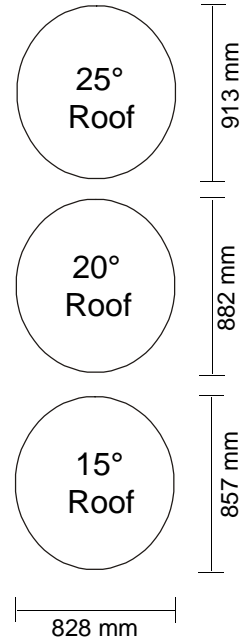
1. Mount the pipe on the diffusor with 8 sheet metal screw 4,8x16 PH (N136-121)
2. Screw the pipes together (see page 3)



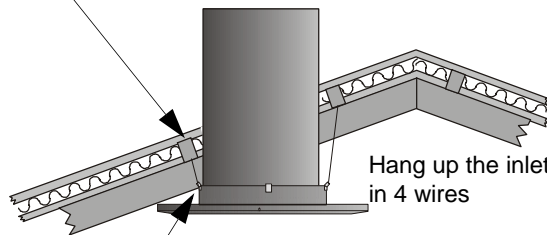
Mount the inlet on one side of the roof



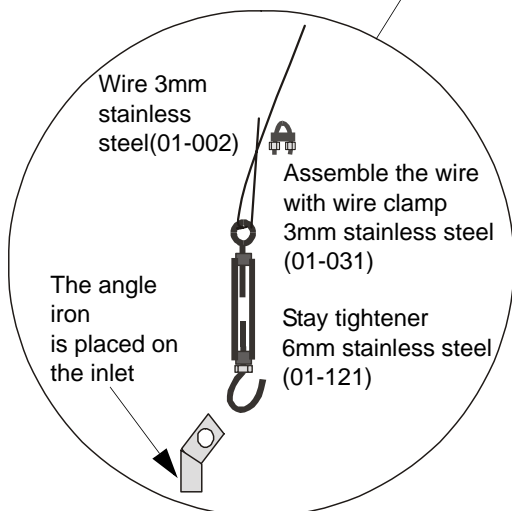
Hole size for inlet



NB! If fan in the inlet (see page 12)



Mount as high up against the rafters as possible



Mount the flashing in the ridge

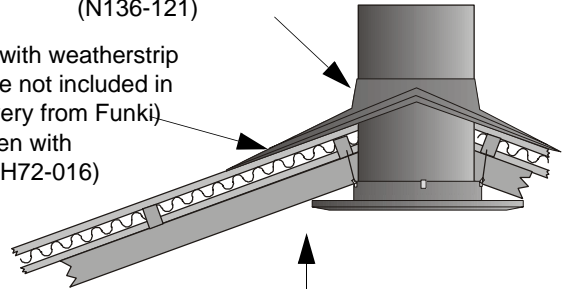
Multiflex Ridge can be used for slopes of 10°, 15° and 20°



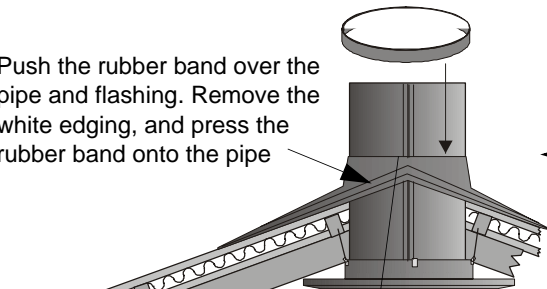
Multiflex ridge flashing placed on the pipe

Fasten the flashing on the pipe with 4 screws 4,8x16 (N136-121)

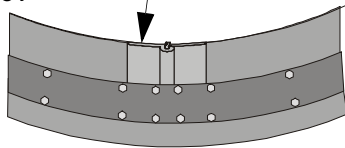
Seal up with weatherstrip (birds are not included in the delivery from Funki) and fasten with screws (H72-016)



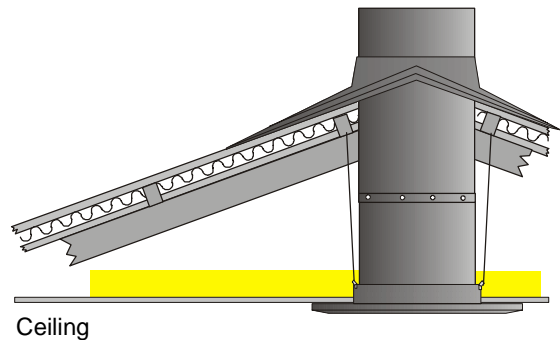
Push the rubber band over the pipe and flashing. Remove the white edging, and press the rubber band onto the pipe



Important! Fasten the rubber band at 6 points both on the pipe and the flashing with screws, except the screws at the rolling junctions. Fasten with screws close to the edge of the rolling junctions

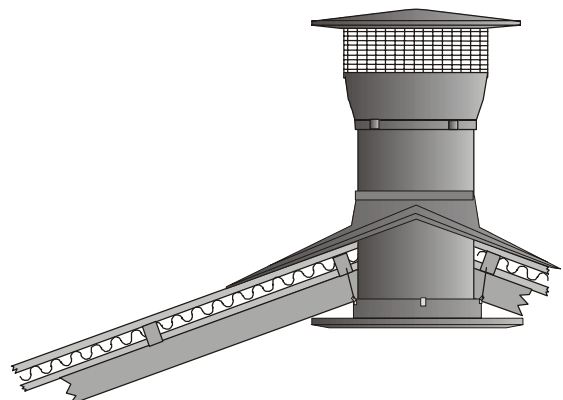


The same procedure



Ceiling

Mounted Inlet



Push the top 60 mm down over the pipe and fasten with drilling screw 4,8x19 w/washer (H71-002)

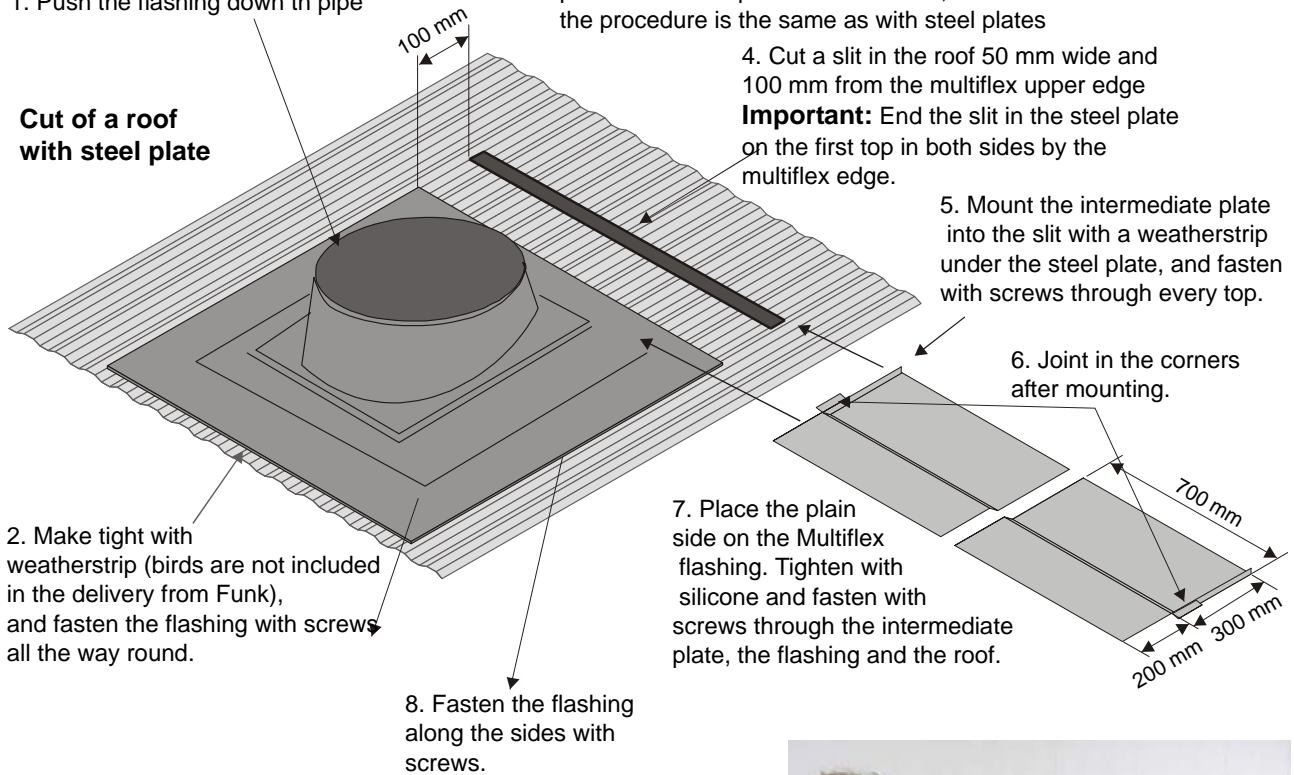
Mount the flashing on one side of the roof

Multiflex can be used for slopes of 10°, 15° and 20°

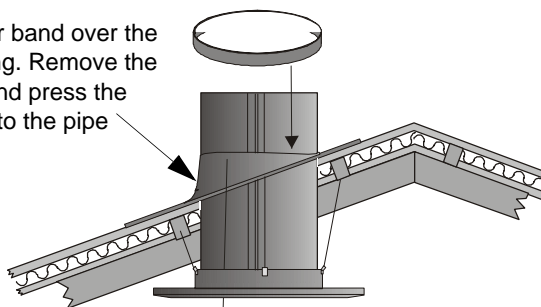
NB! If the roof is made of asbestos cement, put intermediate plate under the slit, and the procedure is the same as with steel plates

1. Push the flashing down th pipe

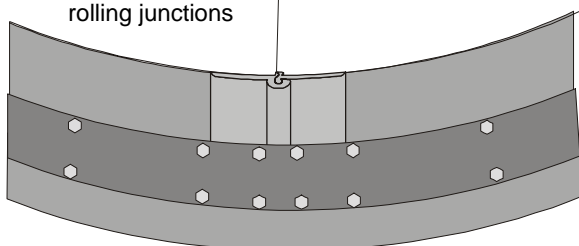
Cut of a roof with steel plate



Push the rubber band over the pipe and flashing. Remove the white edging, and press the rubber band onto the pipe

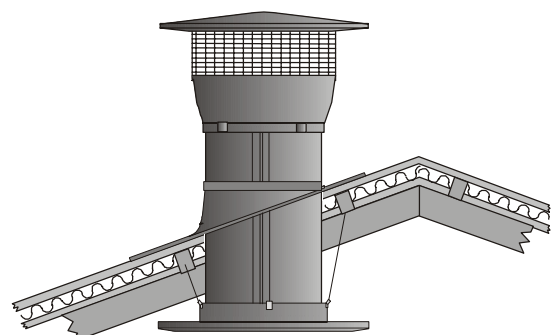


Important! Fasten the rubber band at 6 points both on the pipe and the flashing with screws, except the screws at the rolling junctions. Fasten with screws close to the edge of the rolling junctions

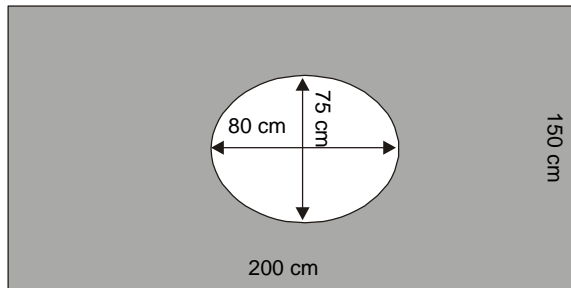


Push the top 60 mm down over the pipe and fasten with drilling screw w/washer 4,8x19 (H71-002)

Mounted flashing



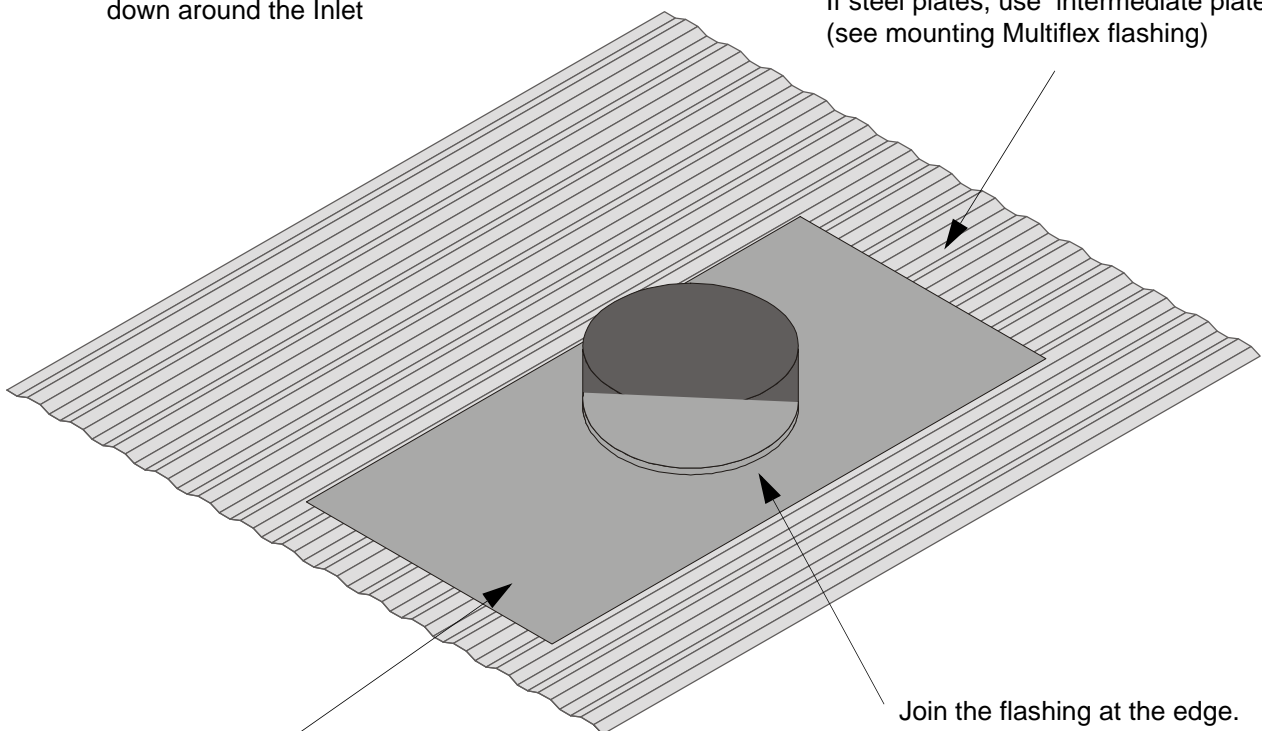
Mounting flexible flashing



Cut a hole in the flashing according to the size in the drawing.
The hole can be moved.

The flashing is pressed down around the Inlet

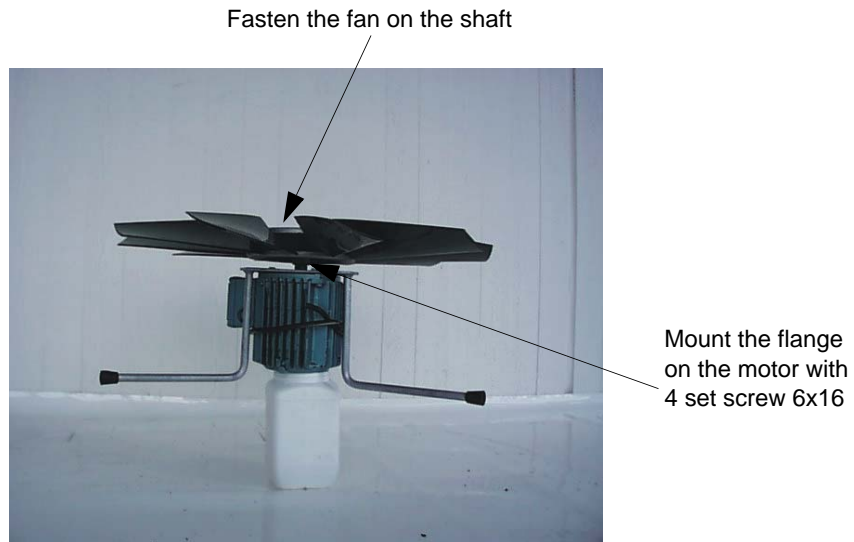
This edge is pushed under slit
If steel plates, use intermediate plate
(see mounting Multiflex flashing)



Fasten the flashing with self-drilling screws 10x1-6 (D25-001)

Join the flashing at the edge.

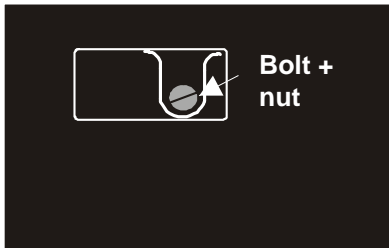
Assembly instruction - Inlet with fan



Air inlet Ø800

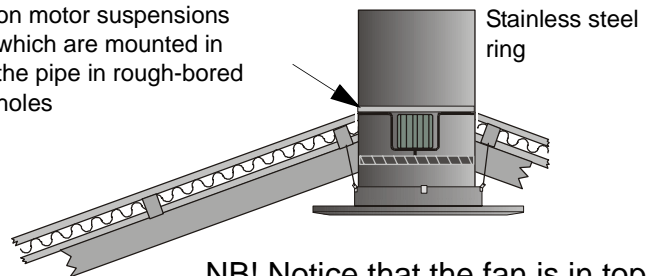
Mount 3-4 pcs. motor fittings inside the pipe in rough-bored holes

Motor suspension



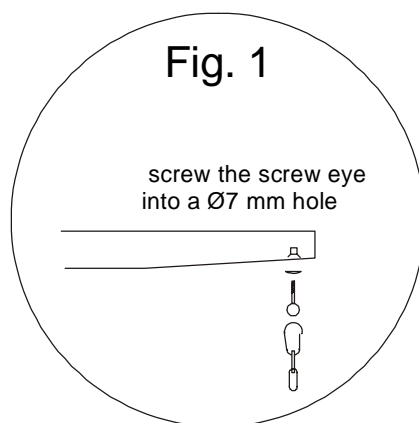
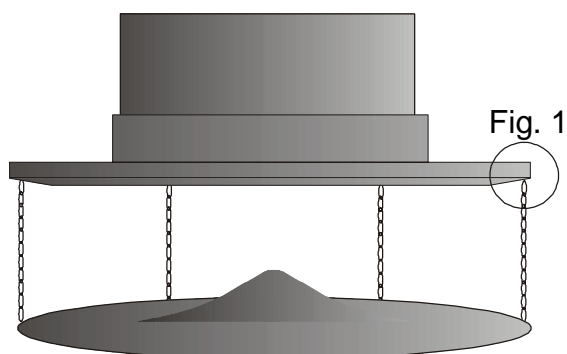
2. Mount the fan on motor suspensions which are mounted in the pipe in rough-bored holes

cut of the pipe



NB! Notice that the fan is in top at Ø800

Mount the air distributor under the inlet Saturn



T:\Montageblade\Vent\M-5103_GB_Luftindtag_gennem_tag_Ø800\M-5103_GB_LUFTINDTAG_GENNEM_TAG_Ø800.fm

Mounting the wire pulling system on diffusers placed in 2 rows

Important!!! When the diffuser is suspended, the regulator arm must be on the left, when you face the damper controller (fig. 1 or 2)

NB!

The diffuser must be closed when mounting the wire. The Regulator arm will then be in a position of approx. 15° to the wire. Fasten the wire on the regulator arm 55 cm from the center of the diffuser.

Fig. 4

Put the wire through a snap hook and fasten with 2 clamps. Hang the weight in the snap hook

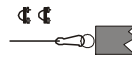


Fig. 1
Oilhydromat

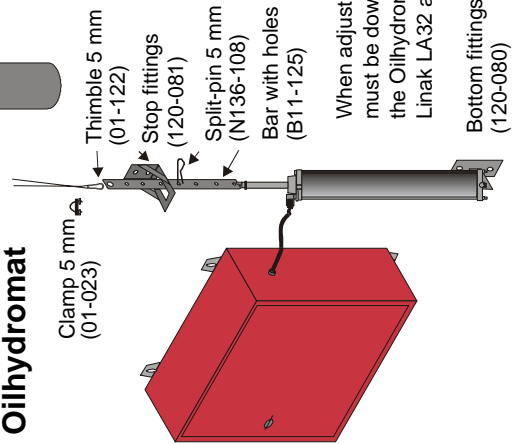


Fig. 2
Linak LA32

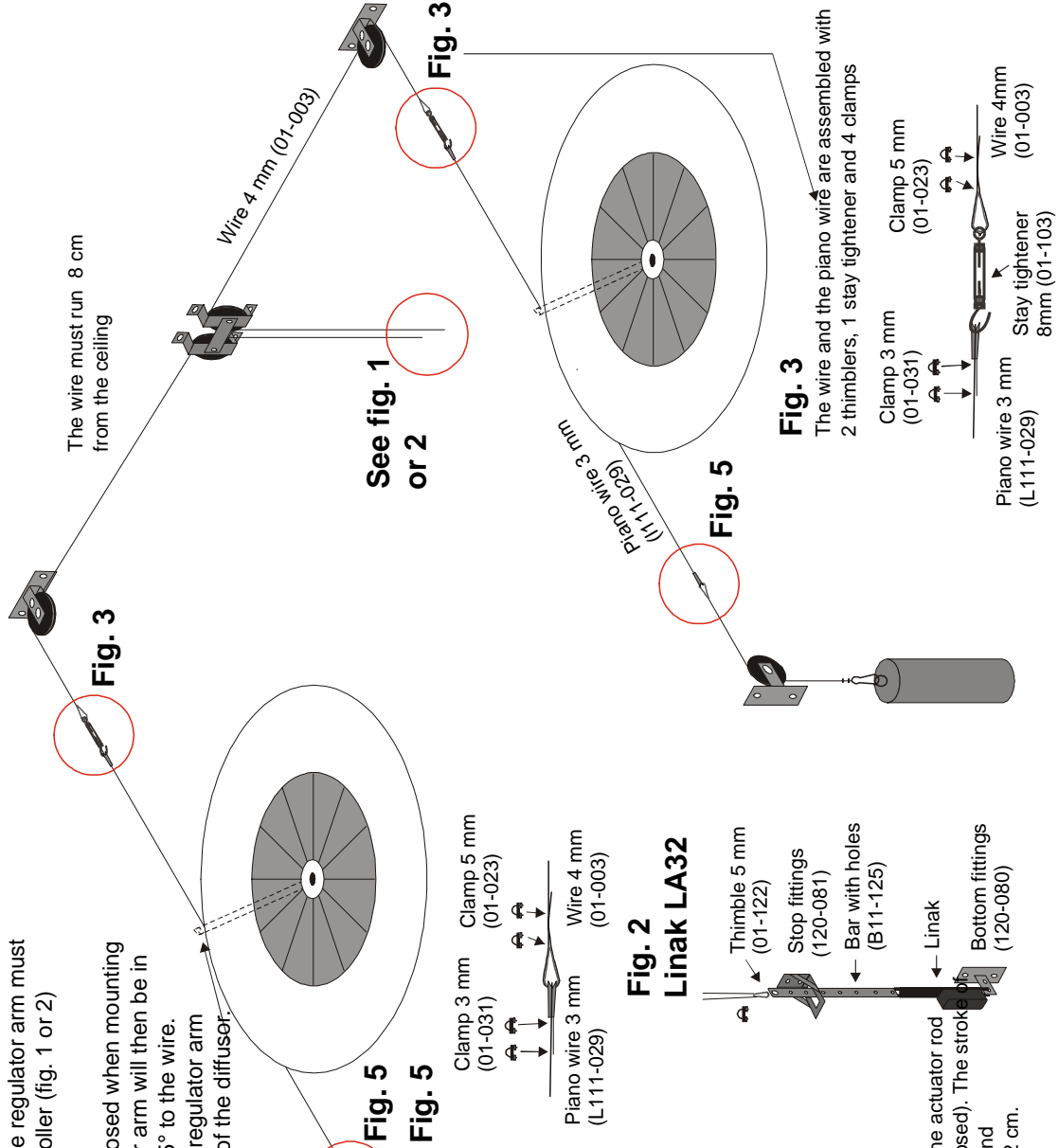
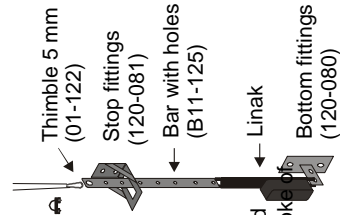
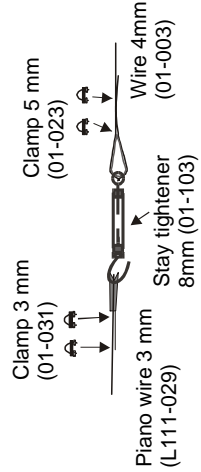


Fig. 3

The wire and the piano wire are assembled with 2 thimbles, 1 stay tightener and 4 clamps



See fig. 1
or 2

The wire must run 8 cm from the ceiling

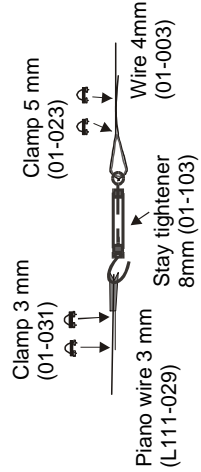
Wire 4 mm (01-003)

Piano wire 3 mm (L111-029)

Fig. 5

Fig. 3

The wire and the piano wire are assembled with 2 thimbles, 1 stay tightener and 4 clamps



T:\Montagebl\ade\Vent\GB\M-5103_GB_Luftindtag_gennem_tag_Ø800\M-5103_GB_LUFTINDTAG_GENNEM_TAG_Ø800.fm

Mounting the wire pulling system on diffusers placed in 1 row

Important!! When the diffuser is suspended, the Regulator arm must be on the left, when you face the damper controller (fig. 1 or 2)

NB! The diffuser must be closed when mounting the wire. The regulator arm will then be in a position of approx. 15° to the wire. Fasten the wire on the regulator arm 55 cm from the center of the diffuser.

Fig. 5

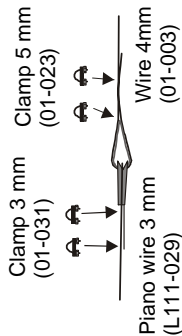


Fig. 4

Put the wire through a snap hook and fasten with 2 clamps. Hang the weight in the snap hook.

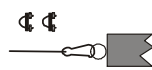


Fig. 5



Fig. 4

Fig. 3

The wire and the piano wire are assembled with 2 thimbles, 1 stay tightener and 4 clamps

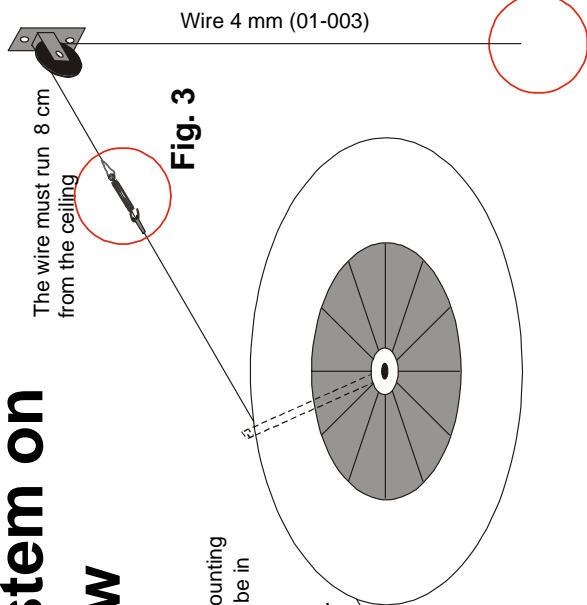
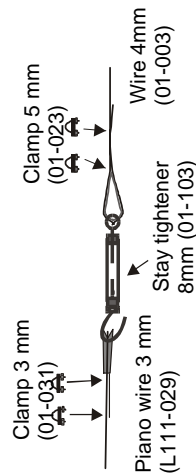
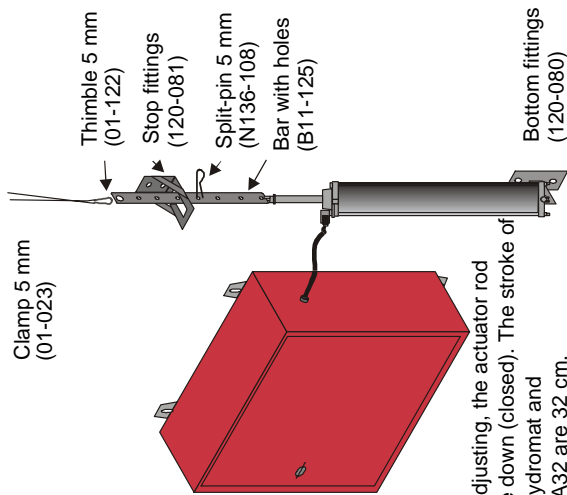


Fig. 3

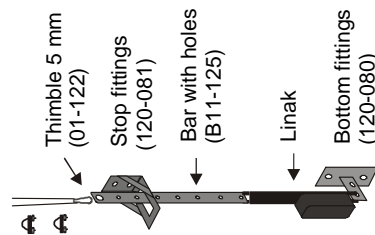
See fig. 1 or 2

Fig. 1 Oilhydromat



When adjusting, the actuator rod must be down (closed). The stroke of the Oilhydromat and Linak LA32 are 32 cm.

Fig. 2 Linak LA32



Mount the Neptronic on the diffusor

A



B



C



D



E



F



G



H

