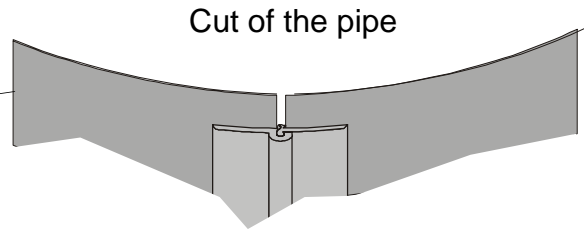
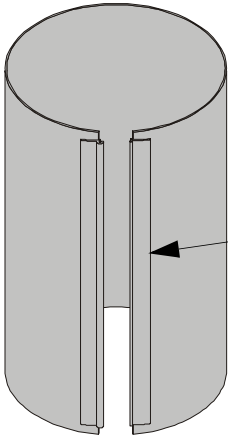


GB

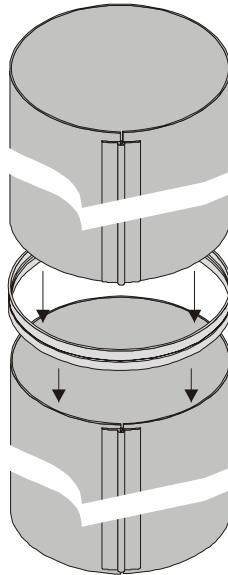
Assembly instruction Exhaust Ø600



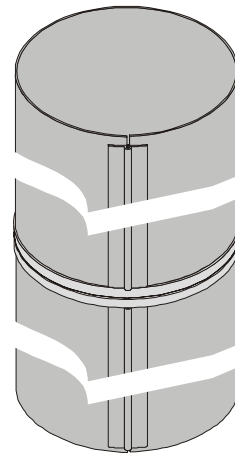
Assembly instruction - Exhaust



Click the two rolling junctions together



Push the sleeve down the pipe, and fasten it with 8 pcs. of sheet metal screws 4,8x16 (N136-121) and washers 5,3x15 stainless (02-420)
Then push the next pipe into the sleeve and fasten with 8 pcs. of sheet metal screws 4,8x16 (N136-121) and washers 5,3x15 stainless (02-420)



Assembled pipes

Mount 3 pcs. motor fittings inside the pipe in rough-bored holes

Motor suspension



Bolt + nut

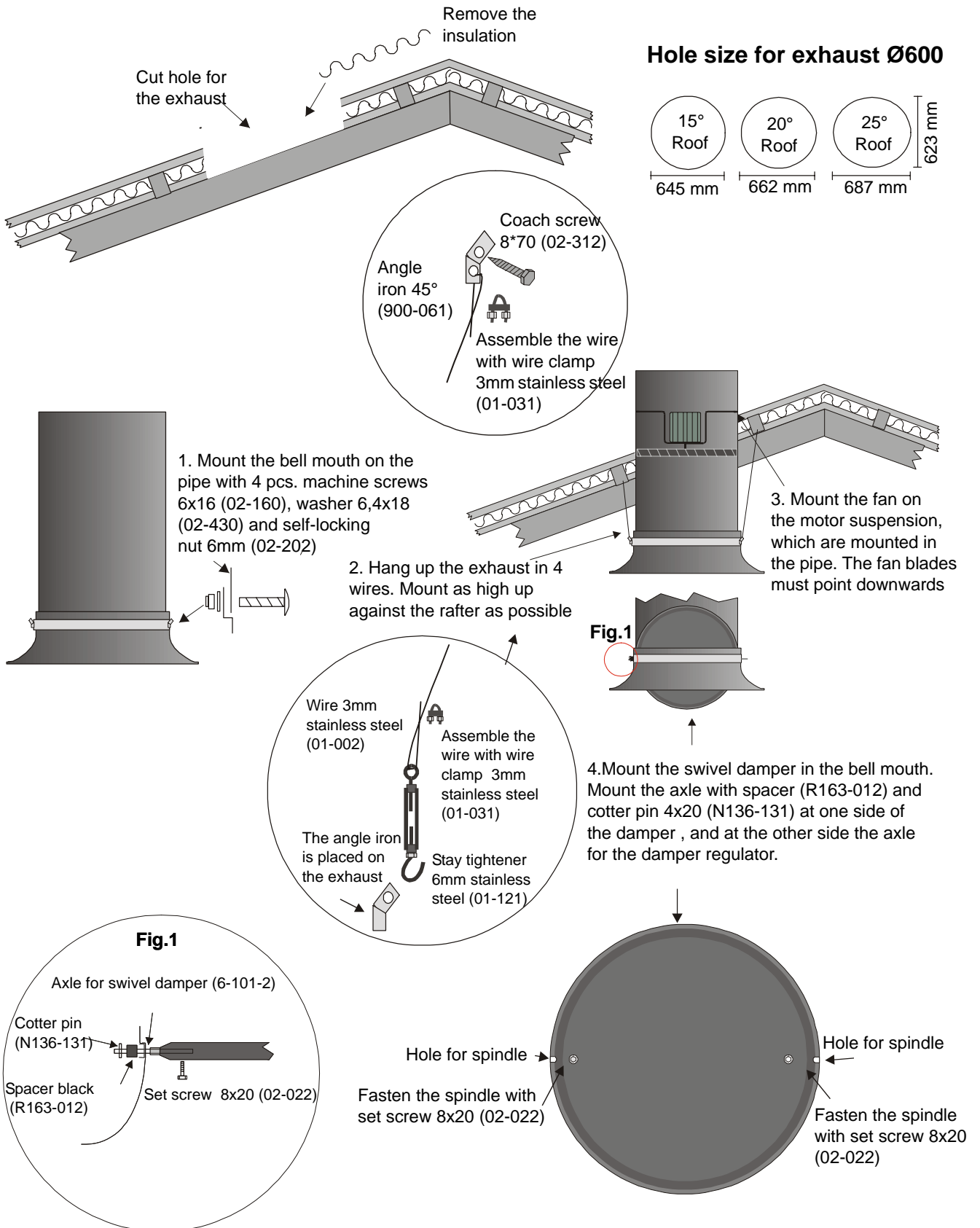
Cut of the pipe

Fasten the fan on the shaft

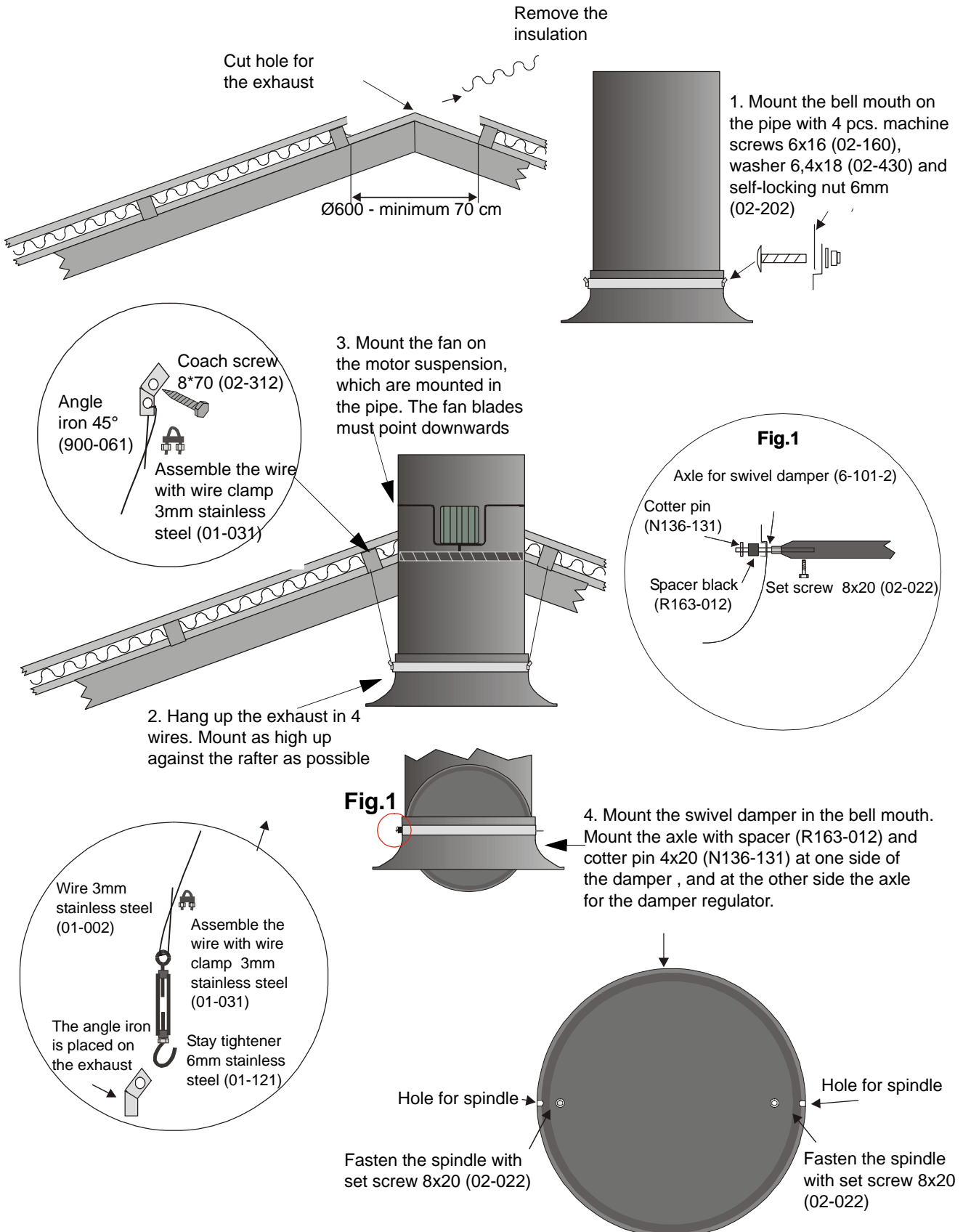


Mount the flange on the motor with 4 set screw 6x16

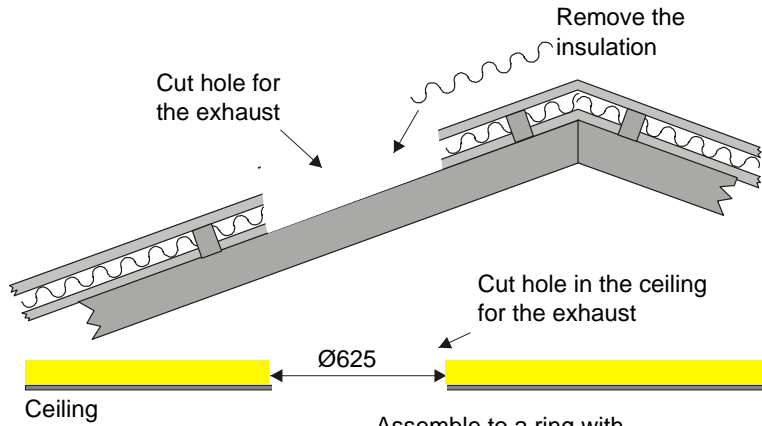
Mount the exhaust on one side of the roof



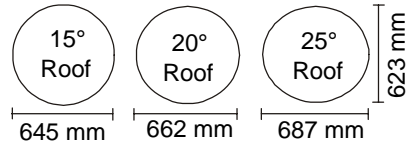
Mounting the exhaust in the ridge



Mounting the exhaust on one side of the roof - through the loft

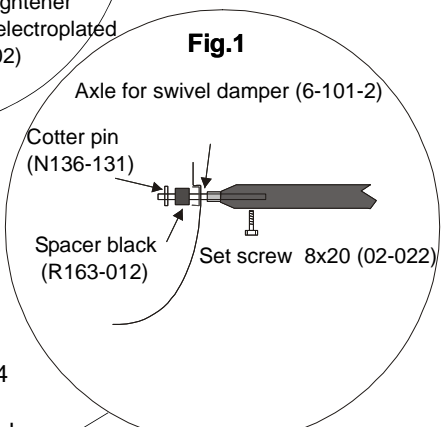
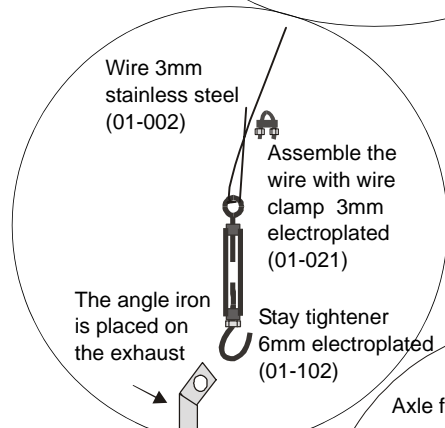
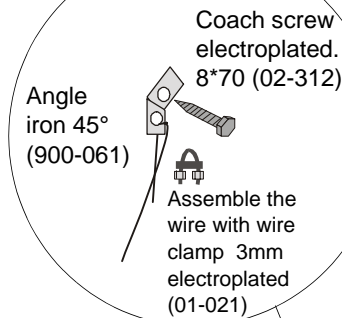
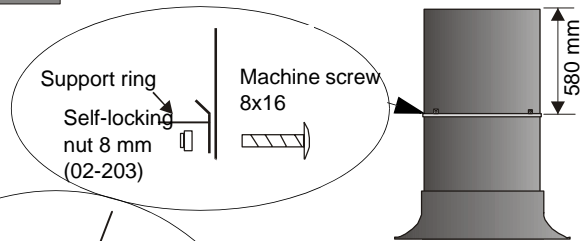
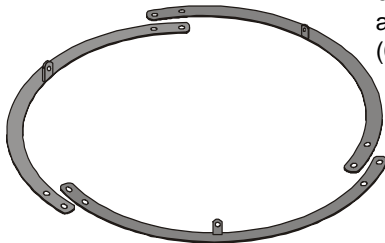


Hole size for exhaust Ø600



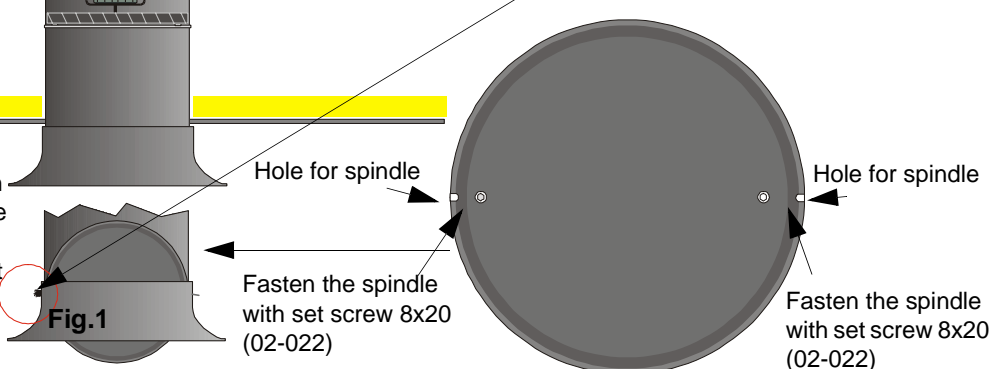
Mount the support ring 58 cm from the top edge of the pipe to the top edge of the support ring.

Assemble to a ring with 6 set screws 8x16 (02-021) and self-locking nuts 8 mm (02-203)

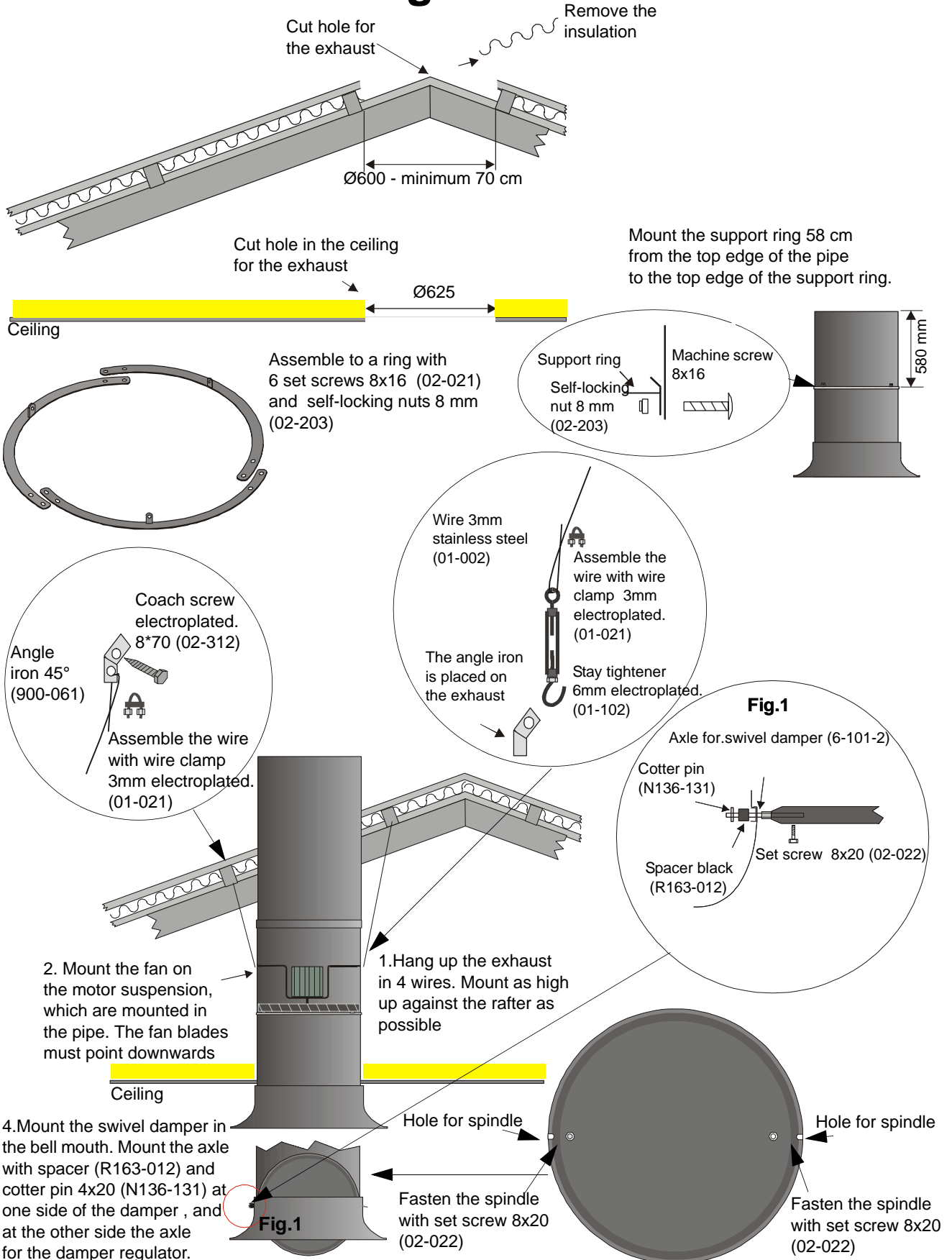


1. Hang up the exhaust in 4 wires. Mount as high up against the rafter as possible
2. Mount the fan on the motor suspension, which are mounted in the pipe. The fan blades must point downwards

4. Mount the swivel damper in the bell mouth. Mount the axle with spacer (R163-012) and cotter pin 4x20 (N136-131) at one side of the damper, and at the other side the axle for the damper regulator.



Mounting the exhaust in the ridge - through the loft

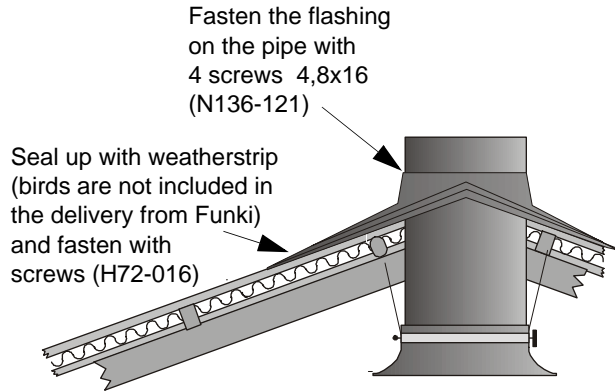


Mount the flashing in the ridge

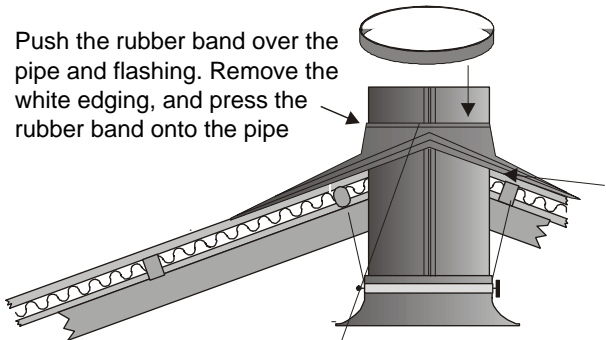
Multiflex Ridge can be used for slopes of 10°, 15° and 20°



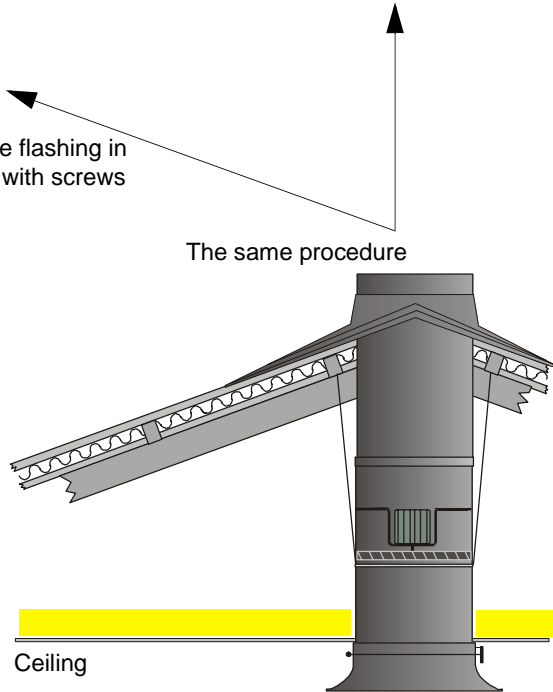
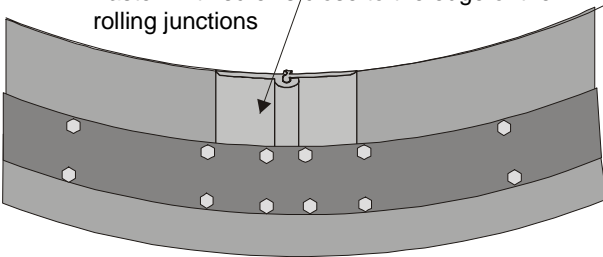
Multiflex ridge flashing placed on the pipe



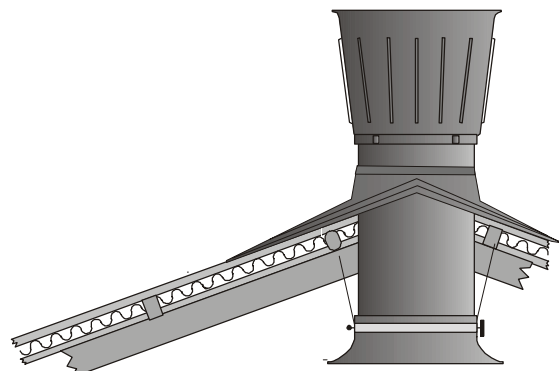
Push the rubber band over the pipe and flashing. Remove the white edging, and press the rubber band onto the pipe



Important! Fasten the rubber band at 6 points both on the pipe and the flashing with screws, except the screws at the rolling junctions. Fasten with screws close to the edge of the rolling junctions



Mounted exhaust



Push the cone 60 mm down over the pipe and fasten with drilling screw w/washer 4,8x19 (H71-002)

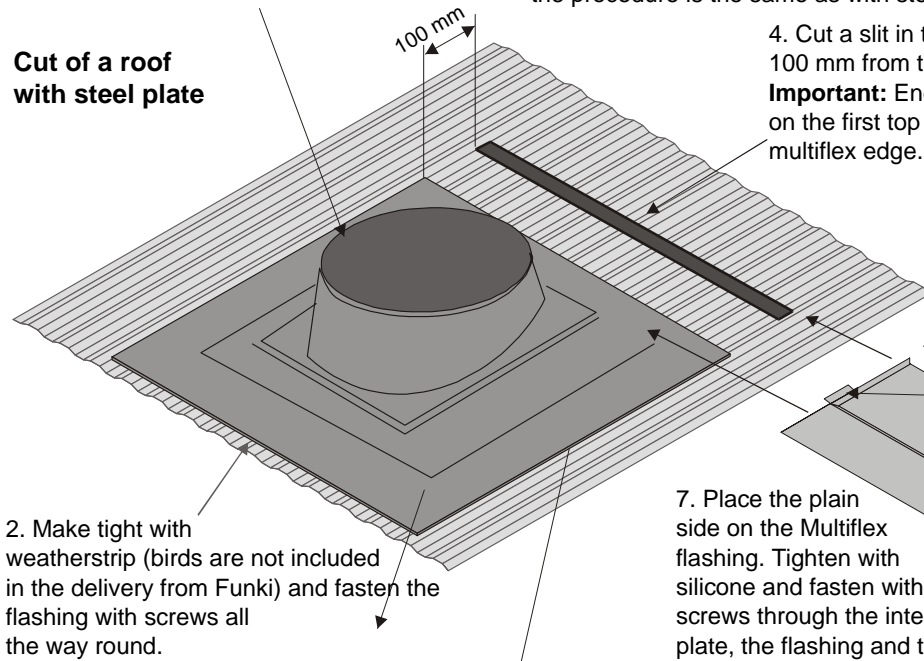
Mount the flashing on one side of the roof

Multiflex can be used for slopes of 10°, 15° and 20°

NB! If the roof is made of asbestos cement, put intermediate plate under the slit, and the procedure is the same as with steel plates

1. Push the flashing down the pipe

Cut of a roof with steel plate



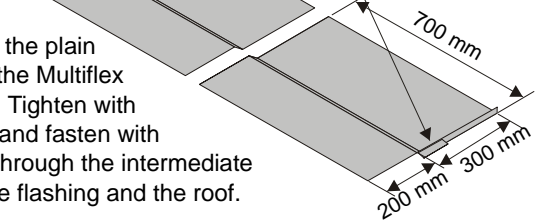
4. Cut a slit in the roof 50 mm wide and 100 mm from the multiflex upper edge

Important: End the slit in the steel plate on the first top in both sides by the multiflex edge.

5. Mount the intermediate plate into the slit with a weatherstrip under the steel plate, and fasten with screws through every top.

6. Joint in the corners after mounting.

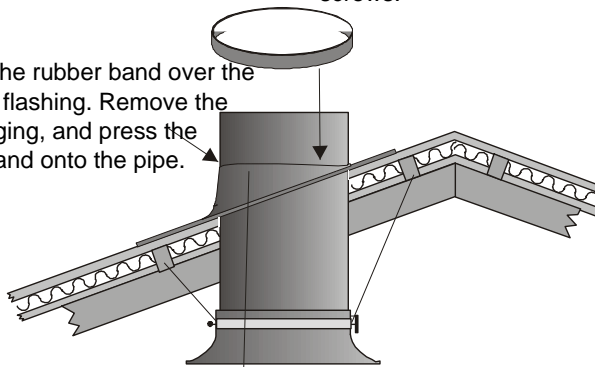
7. Place the plain side on the Multiflex flashing. Tighten with silicone and fasten with screws through the intermediate plate, the flashing and the roof.



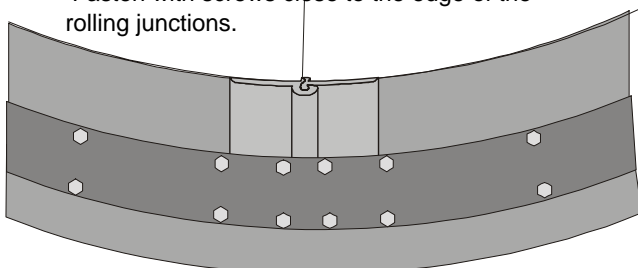
2. Make tight with weatherstrip (birds are not included in the delivery from Funki) and fasten the flashing with screws all the way round.

8. Fasten the flashing along the sides with screws.

3. Push the rubber band over the pipe and flashing. Remove the white edging, and press the rubber band onto the pipe.

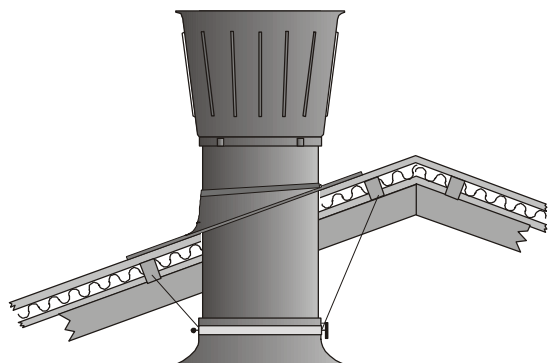


Important! Fasten the rubber band at 6 points both on the pipe and the flashing with screws, except the screws at the rolling junctions. Fasten with screws close to the edge of the rolling junctions.

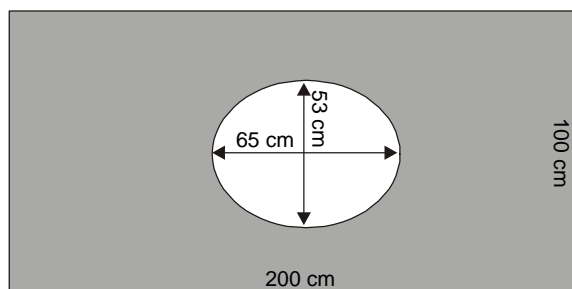


9. Push the cone 60 mm down over the pipe and fasten with drilling screw w/washer 4,8x19 (H71-002)

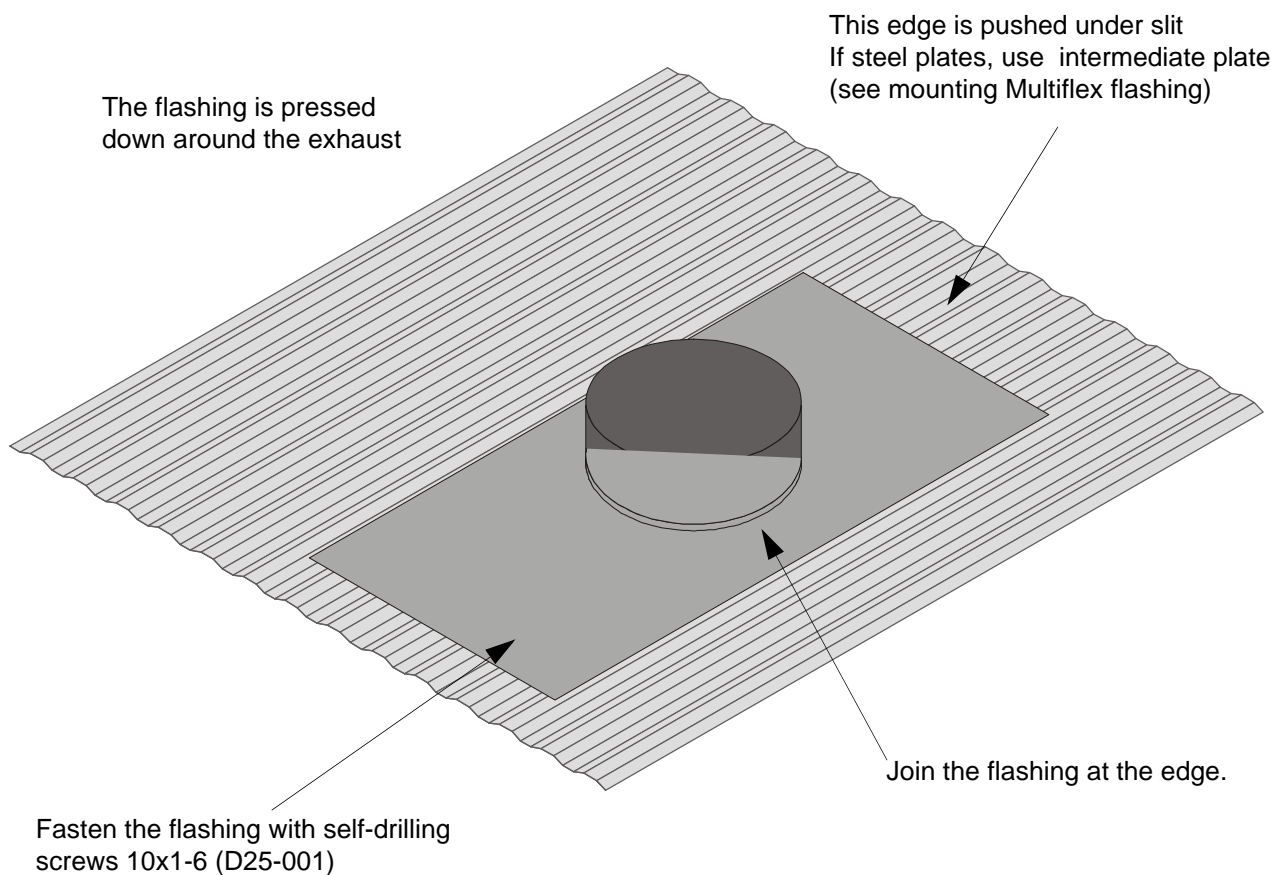
Mounted exhaust



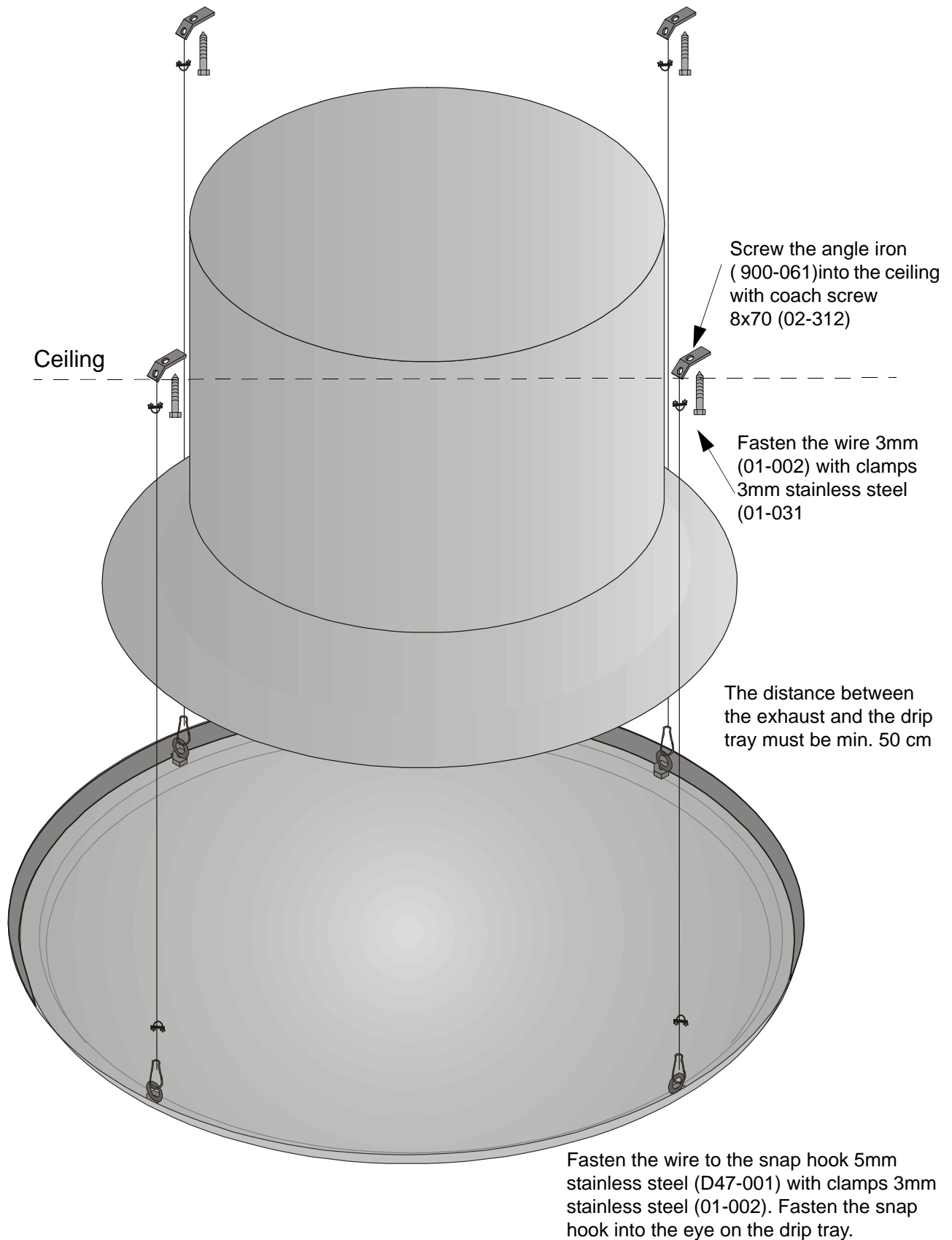
Mounting flexible flashing



Cut a hole in the flashing according to the size in the drawing.
The hole can be moved.

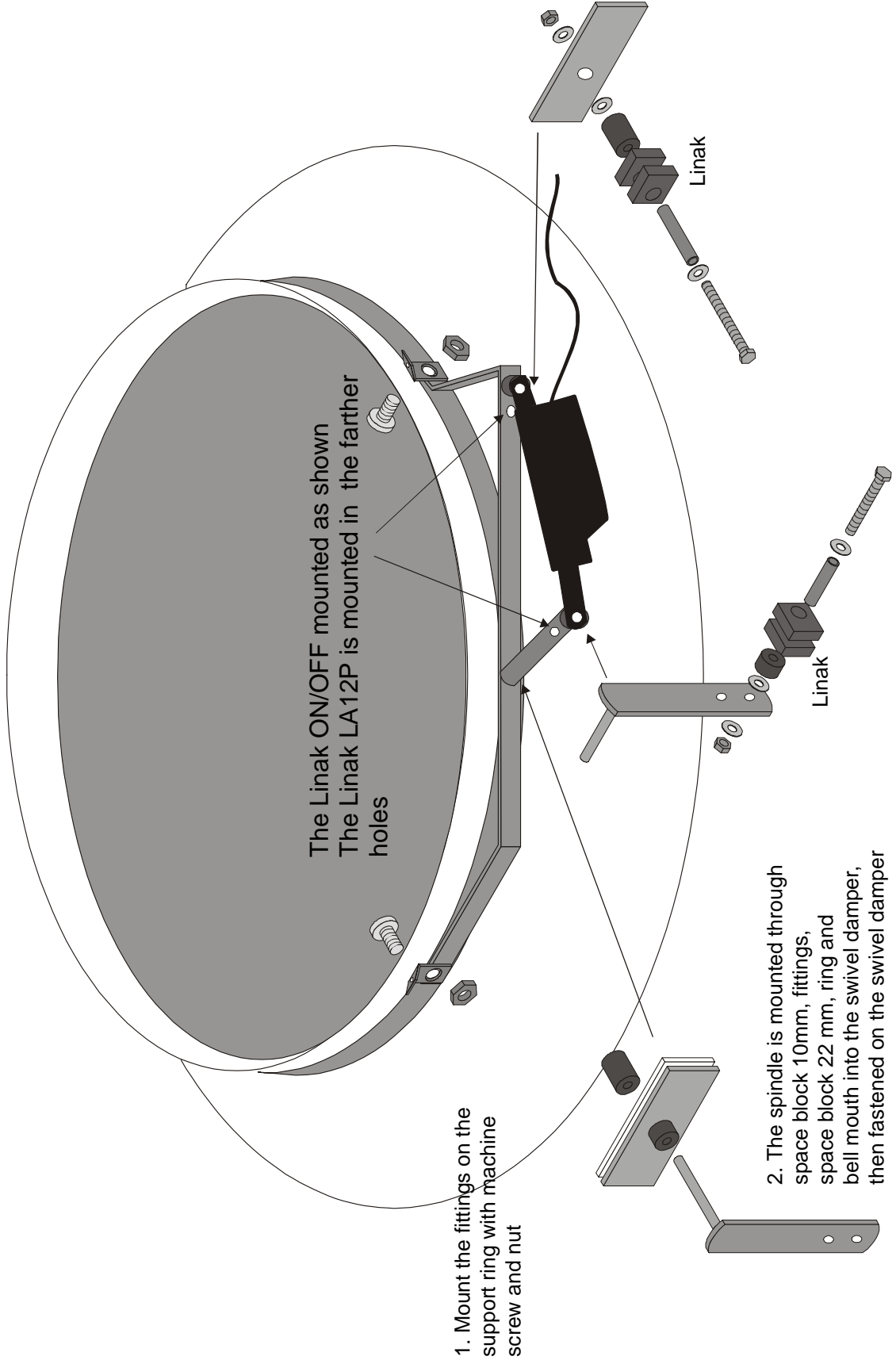


Mounting the drip tray PE1200



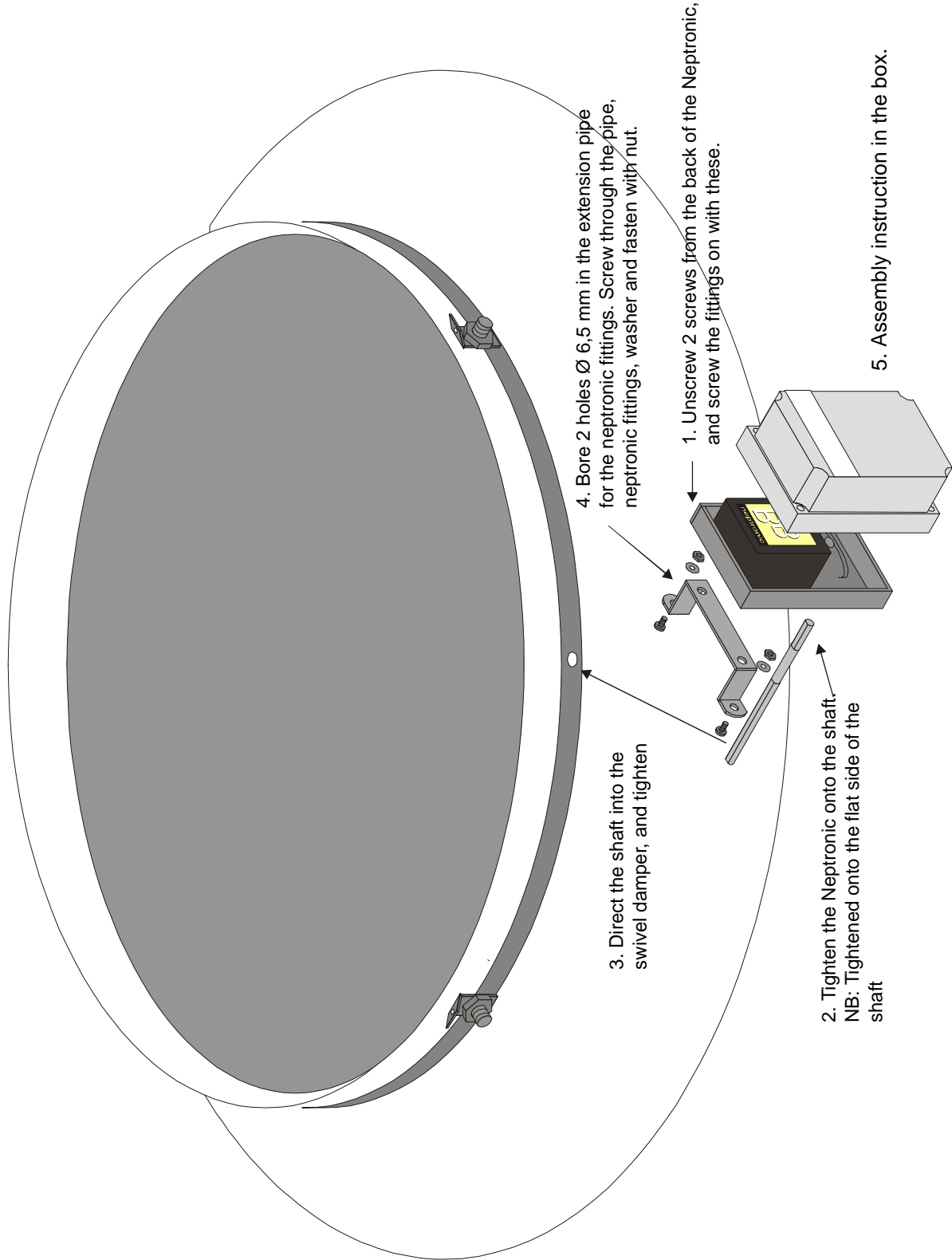
Mounting the Linak ON/OFF or the Linak LA12P on the swivel damper

T:\Montageblade\Vent\GB\M-5104_GB_Udsugning_Ø600\M-5104_GB_UDSUGNING_Ø600.fm



Mounting the Nepronic 2060 on the exhaust

T:\Montageblade\Vent\GB\M-5104_GB_Udsugning_Ø600\M-5104_GB_UDSUGNING_Ø600.fm



Mounting the wire pulling system on exhausts with regulator arm

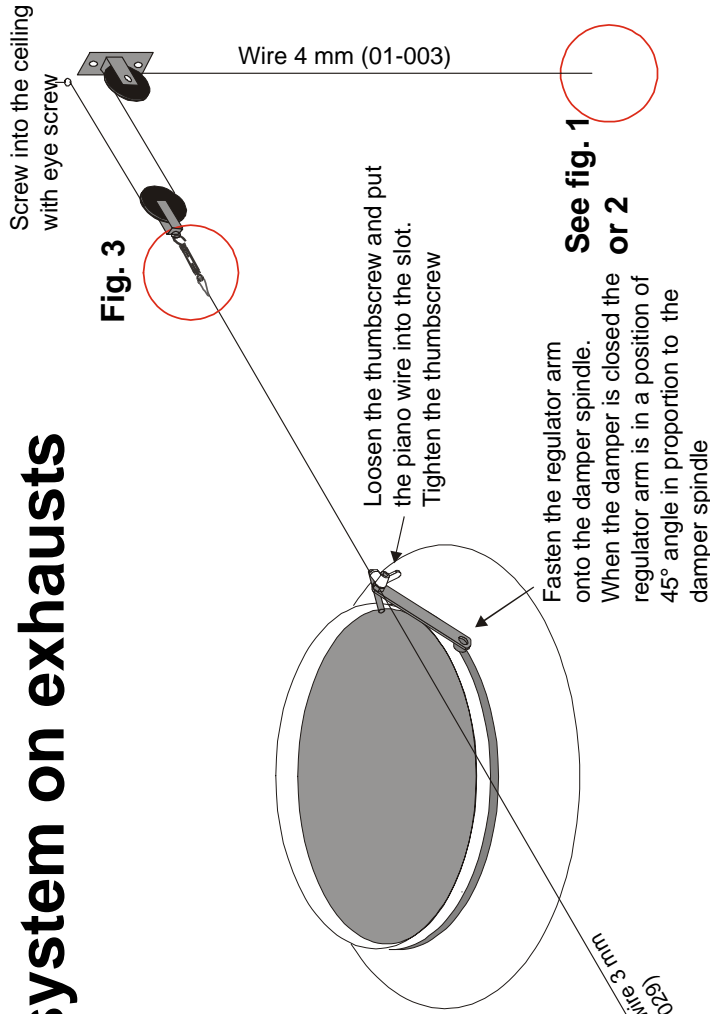


Fig. 3

The wire and piano wire are assembled with 1 thimble, 1 stay tightener and 2 clamps

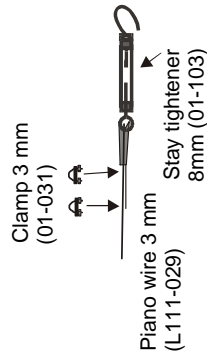


Fig. 4

Put the wire through a snap hook and fasten with 2 clamps. Hang the weight in the snap hook

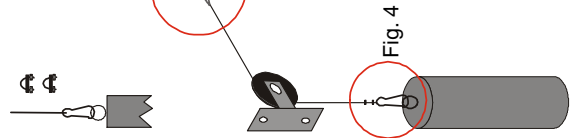


Fig. 5

Fig. 5

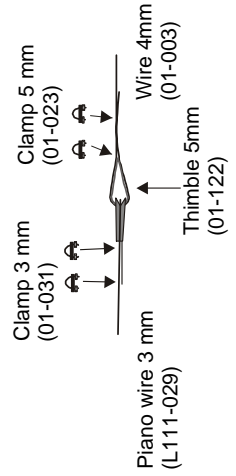
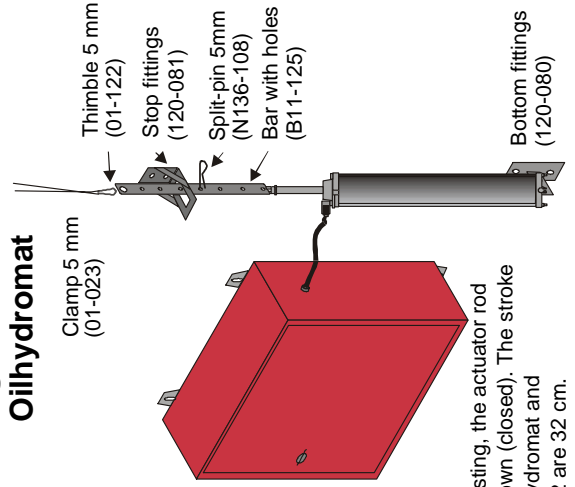


Fig. 1
Oilhydromat



When adjusting, the actuator rod must be down (closed). The stroke of the Oilhydromat and Linak LA32 are 32 cm.

Fig. 2
Linak LA32

