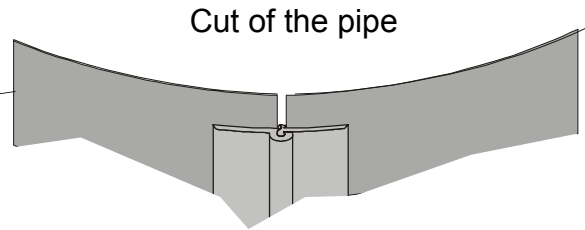
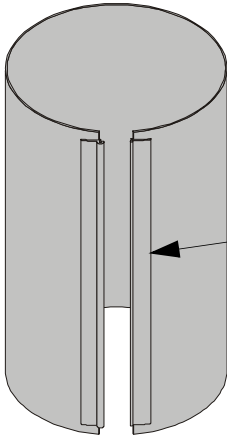


GB

Assembly instruction Exhaust Ø800

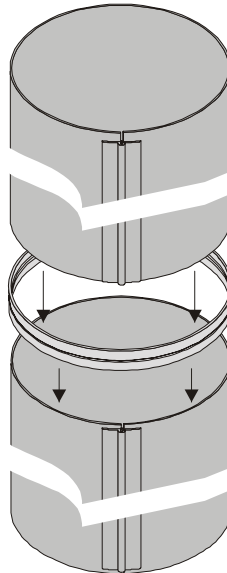


Assembly instruction - Exhaust

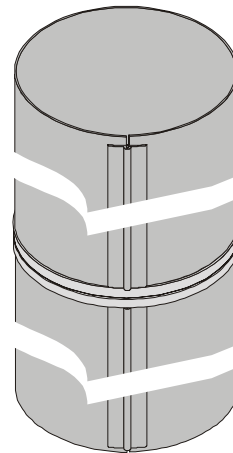


Cut of the pipe

Click the two rolling junctions together



Push the sleeve down the pipe, and fasten it with 8 pcs. of sheet metal screws 4,8x16 (N136-121) and washers 5,3x15 stainless (02-420). Then push the next pipe into the sleeve and fasten with 8 pcs. of sheet metal screws 4,8x16 (N136-121) and washers 5,3x15 stainless (02-420).

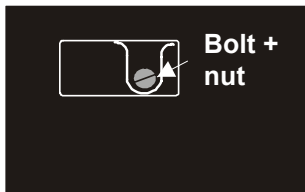


Assembled pipes

T:\Montageblade\Vent\Framemaker\GBM+5105_GB_Udsugning_Ø800M-5105_GB_UDSUGNING_Ø800.fm

Mount 4pcs. motor fittings inside the pipe in rough-bored holes

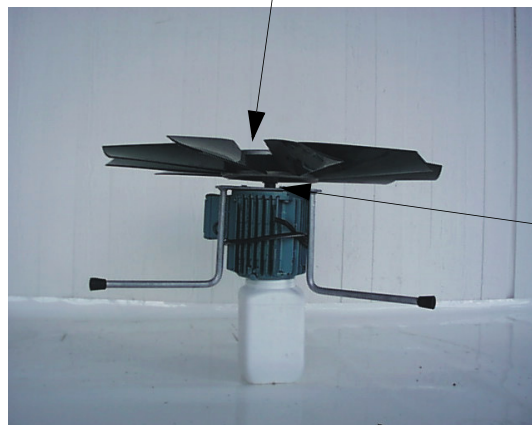
Motor suspension



Bolt + nut

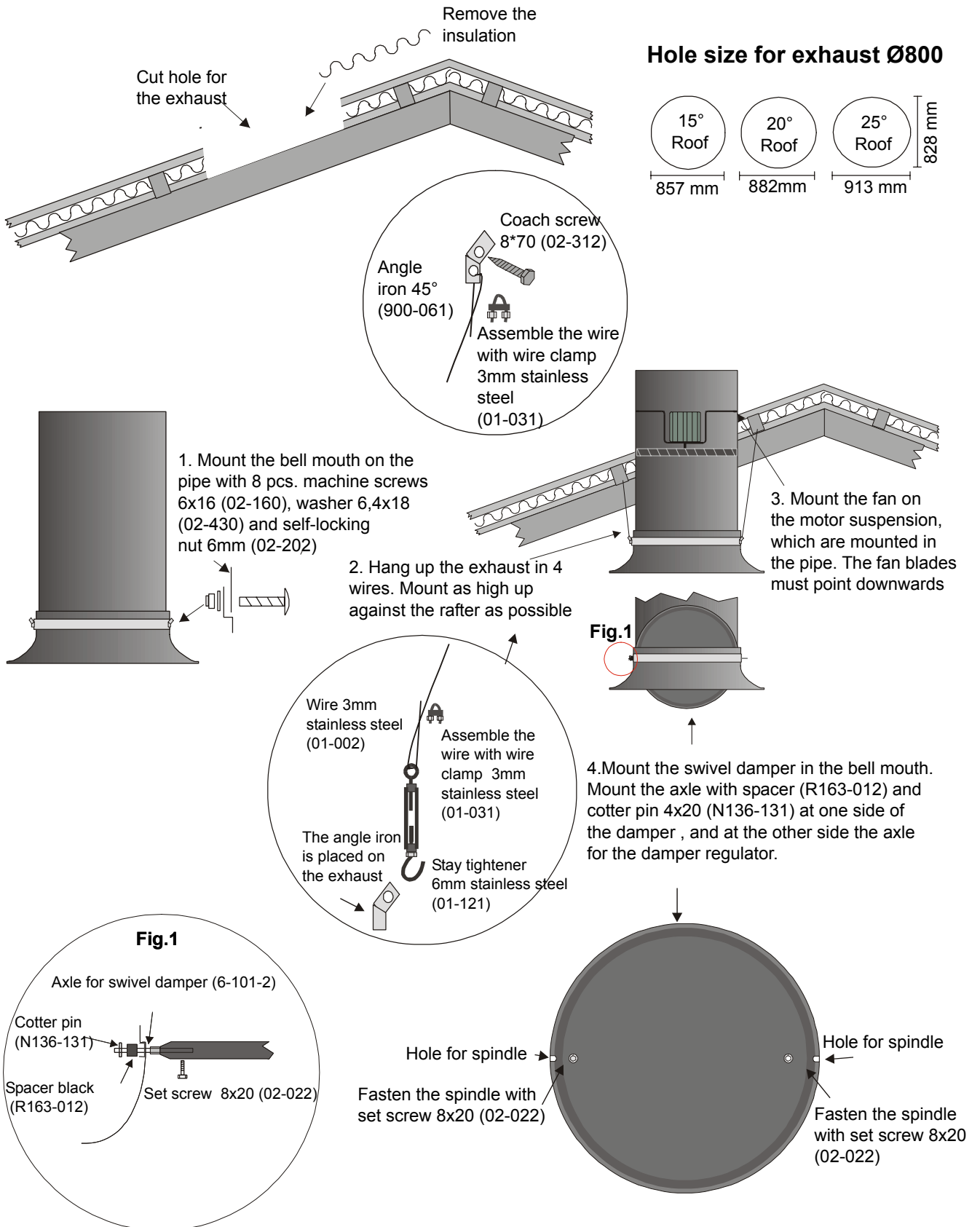
Cut of the pipe

Fasten the fan on the shaft

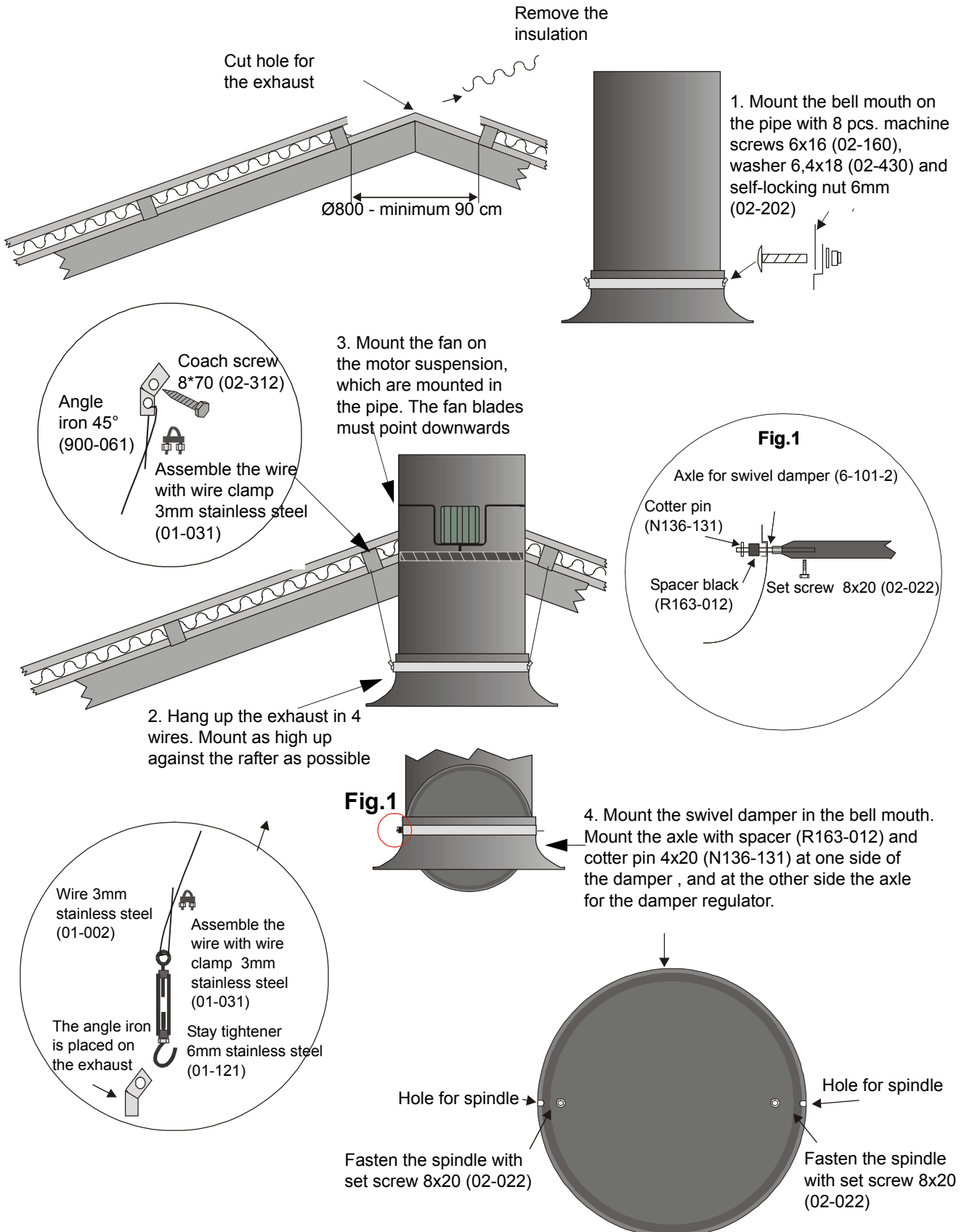


Mount the flange on the motor with 4 set screw 6x16

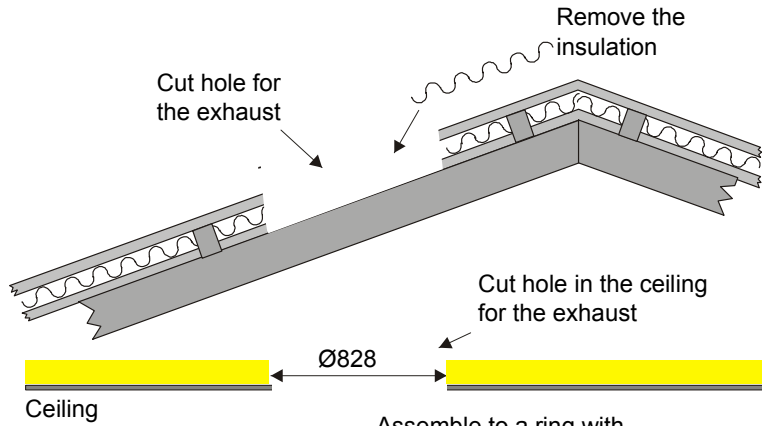
Mount the exhaust on one side of the roof



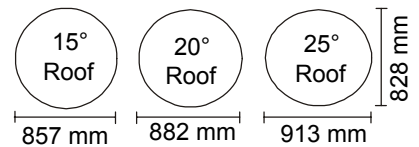
Mounting the exhaust in the ridge



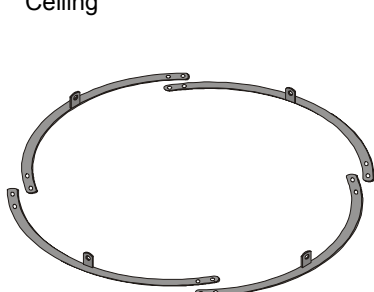
Mounting the exhaust on one side of the roof - through the loft



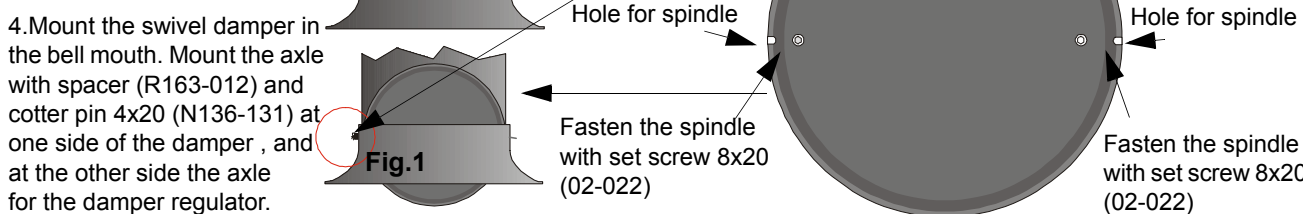
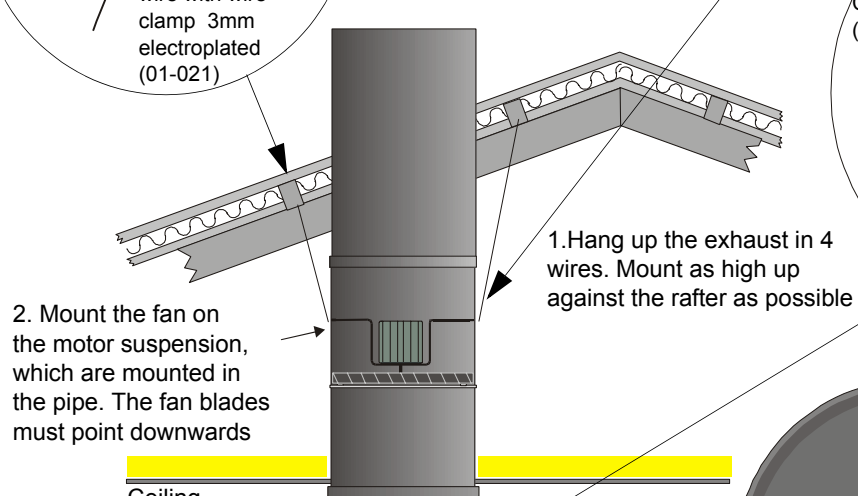
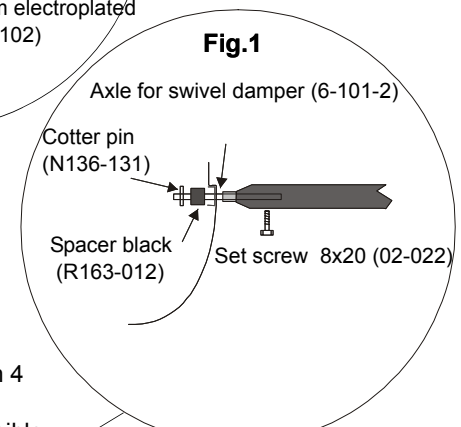
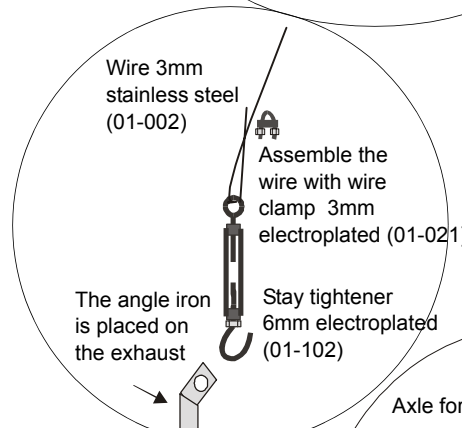
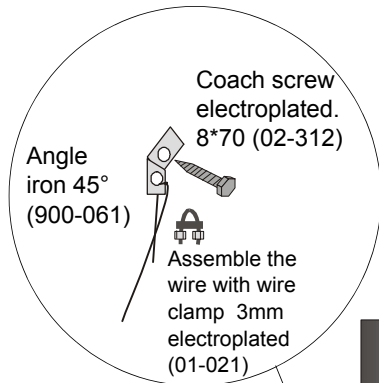
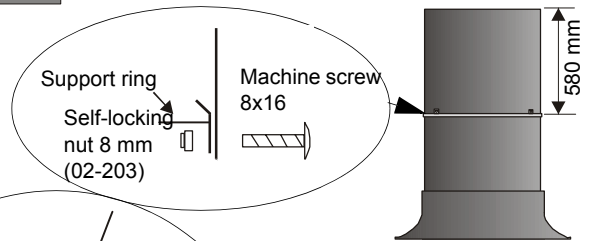
Hole size for exhaust Ø800



Mount the support ring 58 cm from the top edge of the pipe to the top edge of the support ring.

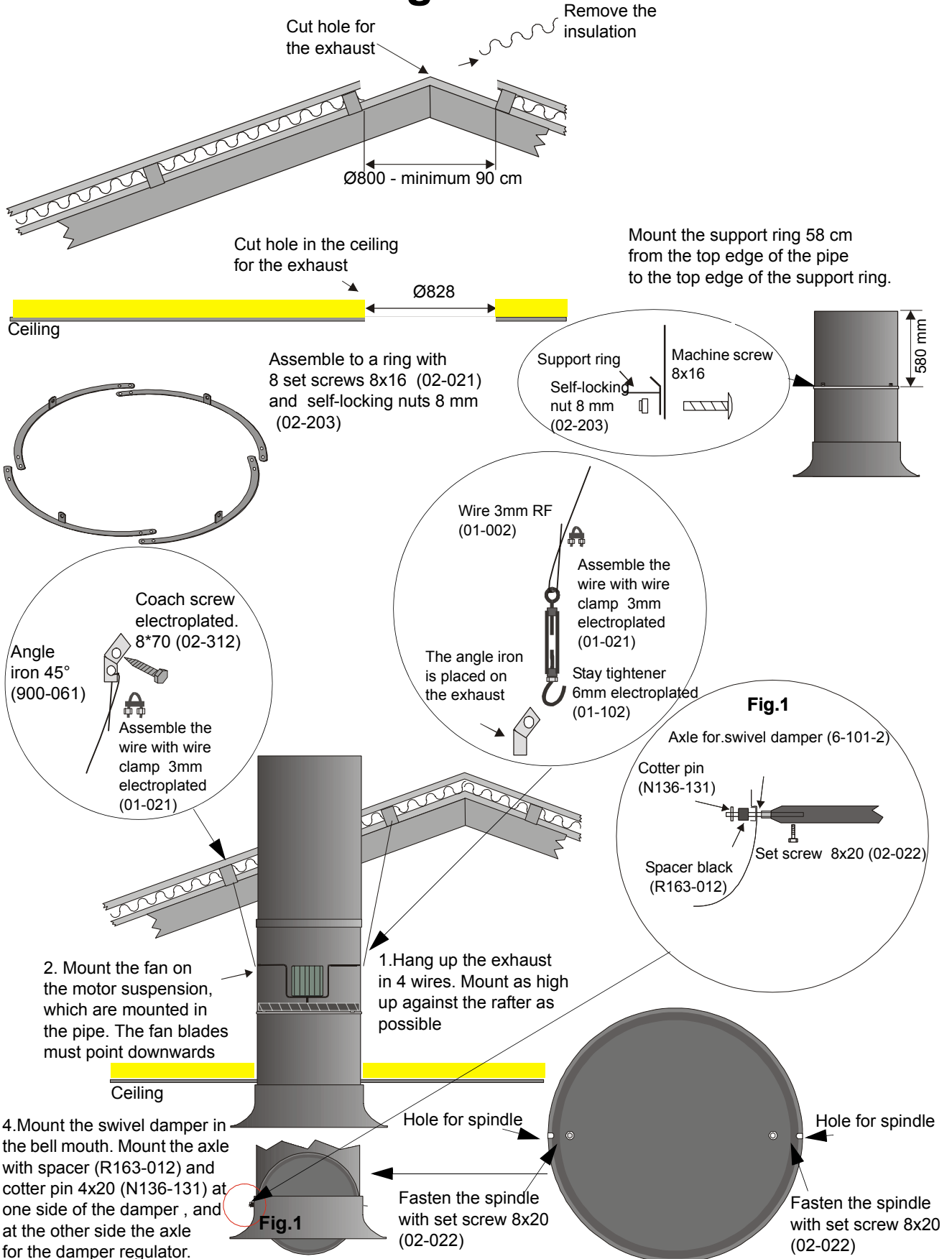


Assemble to a ring with 8 set screws 8x16 (02-021) and self-locking nuts 8 mm (02-203)



T:\Montageblade\Vent\Framemaker\GBM+5105_GB_Udsugning_Ø800M-5105_GB_Udsugning_Ø800_fm

Mounting the exhaust in the ridge - through the loft



Mount the flashing in the ridge

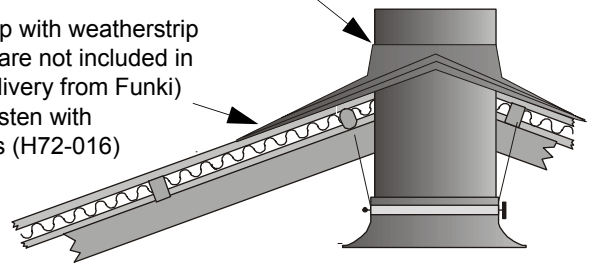
Multiflex Ridge can be used for slopes of 10°, 15° and 20°



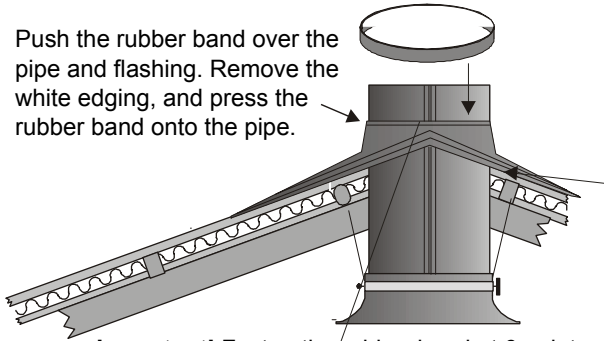
Multiflex ridge flashing placed on the pipe

Fasten the flashing on the pipe with 4 screws 4,8x16 (N136-121)

Seal up with weatherstrip (birds are not included in the delivery from Funki) and fasten with screws (H72-016)

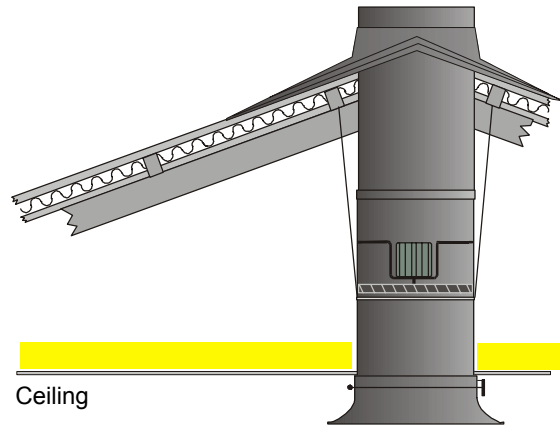


Push the rubber band over the pipe and flashing. Remove the white edging, and press the rubber band onto the pipe.

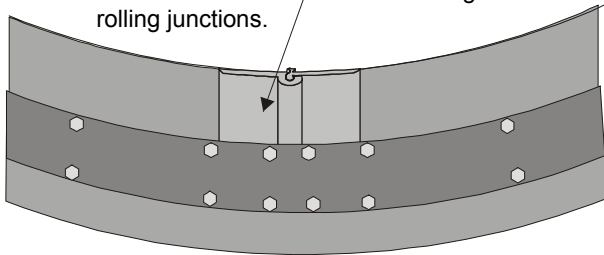


Fasten the flashing in the sides with screws

The same procedure

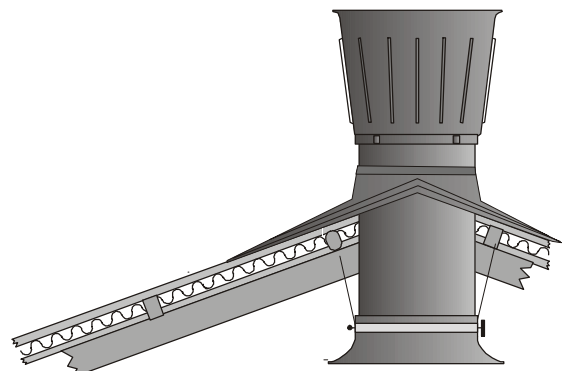


Important! Fasten the rubber band at 6 points both on the pipe and the flashing with screws, except the screws at the rolling junctions. Fasten with screws close to the edge of the rolling junctions.



Push the cone 60 mm down over the pipe and fasten with drilling screw w/washer 4,8x19 (H71-002)

Mounted exhaust



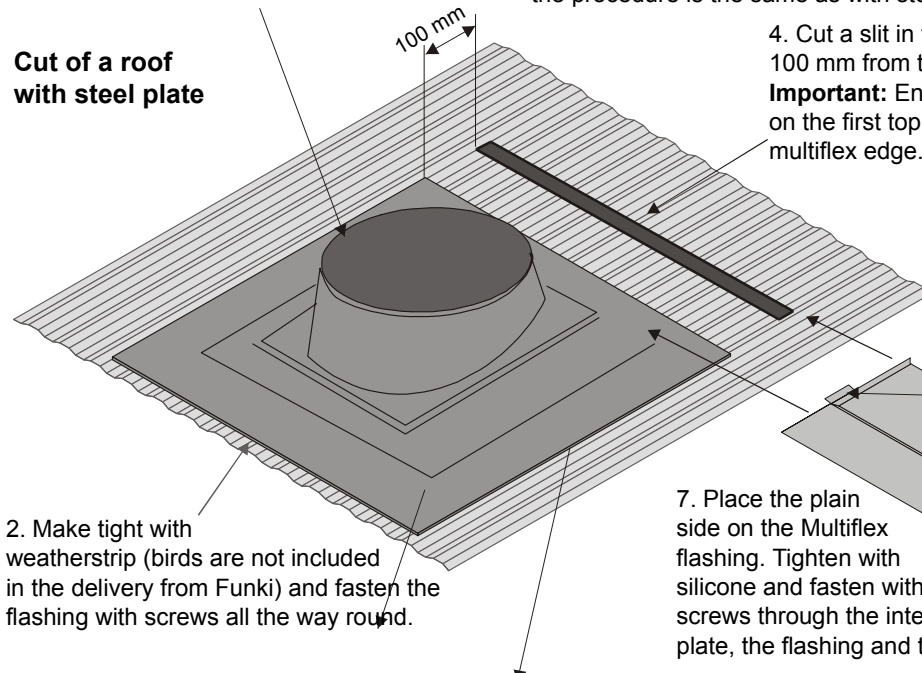
Mount the flashing on one side of the roof

Multiflex can be used for slopes of 10°, 15° and 20°

NB! If the roof is made of asbestos cement, put intermediate plate under the slit, and the procedure is the same as with steel plates

1. Push the flashing down the pipe

Cut of a roof with steel plate



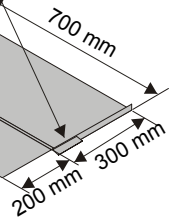
4. Cut a slit in the roof 50 mm wide and 100 mm from the multiflex upper edge

Important: End the slit in the steel plate on the first top in both sides by the multiflex edge.

5. Mount the intermediate plate into the slit with a weatherstrip under the steel plate, and fasten with screws through every top.

6. Joint in the corners after mounting.

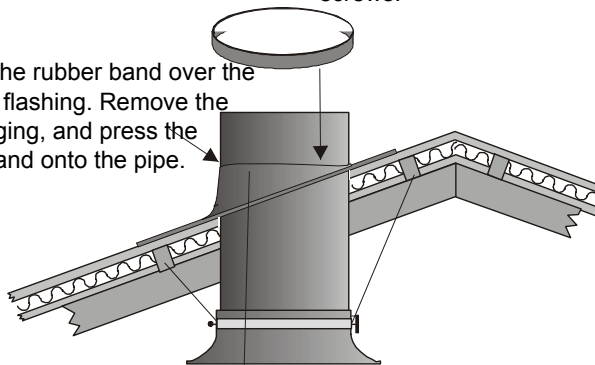
7. Place the plain side on the Multiflex flashing. Tighten with silicone and fasten with screws through the intermediate plate, the flashing and the roof.



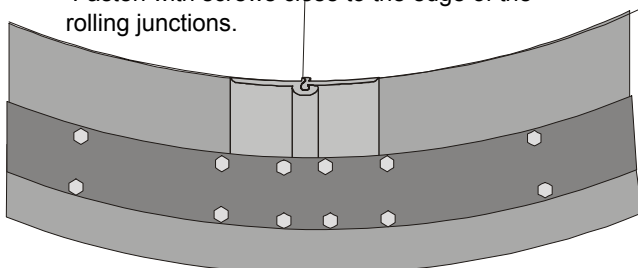
2. Make tight with weatherstrip (birds are not included in the delivery from Funki) and fasten the flashing with screws all the way round.

8. Fasten the flashing along the sides with screws.

3. Push the rubber band over the pipe and flashing. Remove the white edging, and press the rubber band onto the pipe.

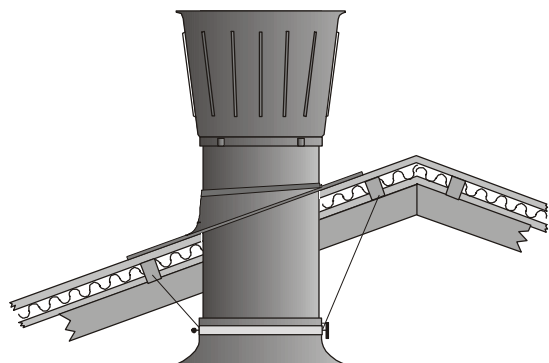


Important! Fasten the rubber band at 6 points both on the pipe and the flashing with screws, except the screws at the rolling junctions. Fasten with screws close to the edge of the rolling junctions.

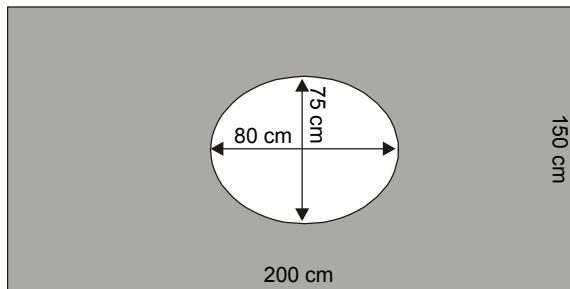


9. Push the cone 60 mm down over the pipe and fasten with drilling screw w/washer 4,8x19 (H71-002)

Mounted exhaust



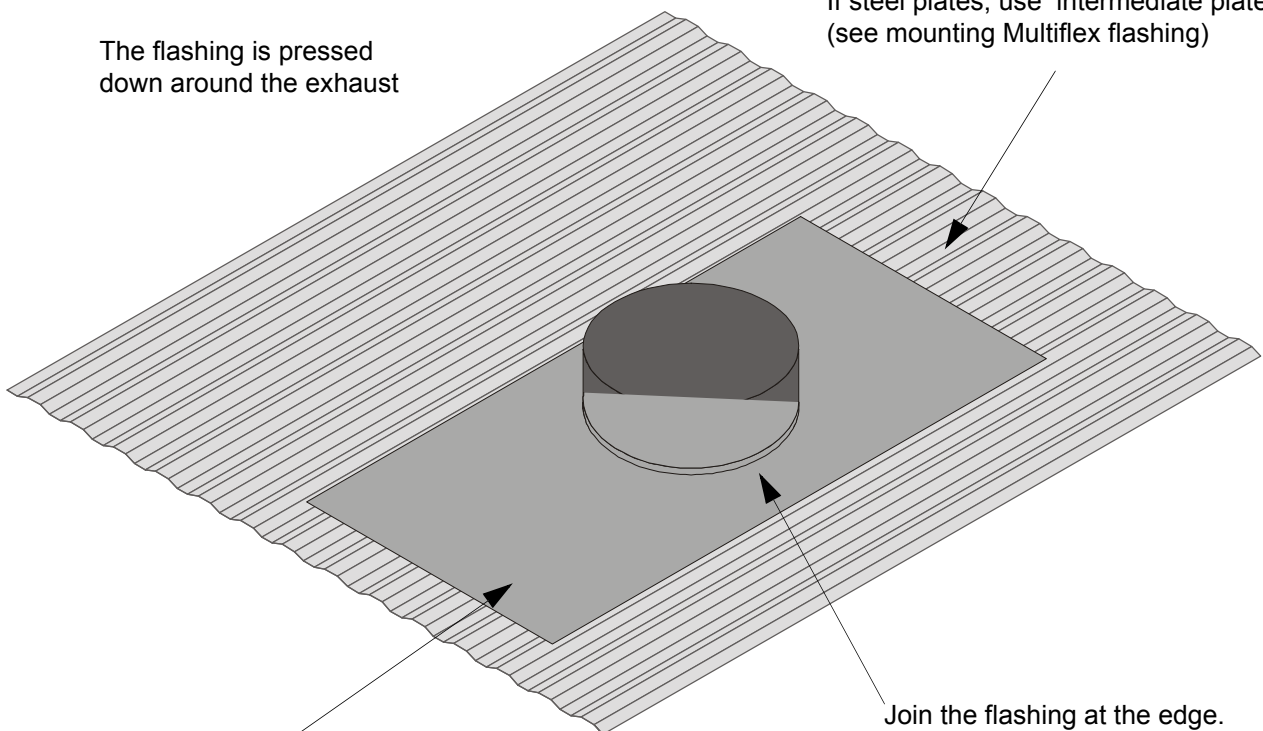
Mounting flexible flashing



Cut a hole in the flashing according to the size in the drawing.
The hole can be moved.

The flashing is pressed down around the exhaust

This edge is pushed under slit
If steel plates, use intermediate plate
(see mounting Multiflex flashing)



Fasten the flashing with self-drilling screws 10x1-6 (D25-001)

Join the flashing at the edge.

Mounting the light dimmer

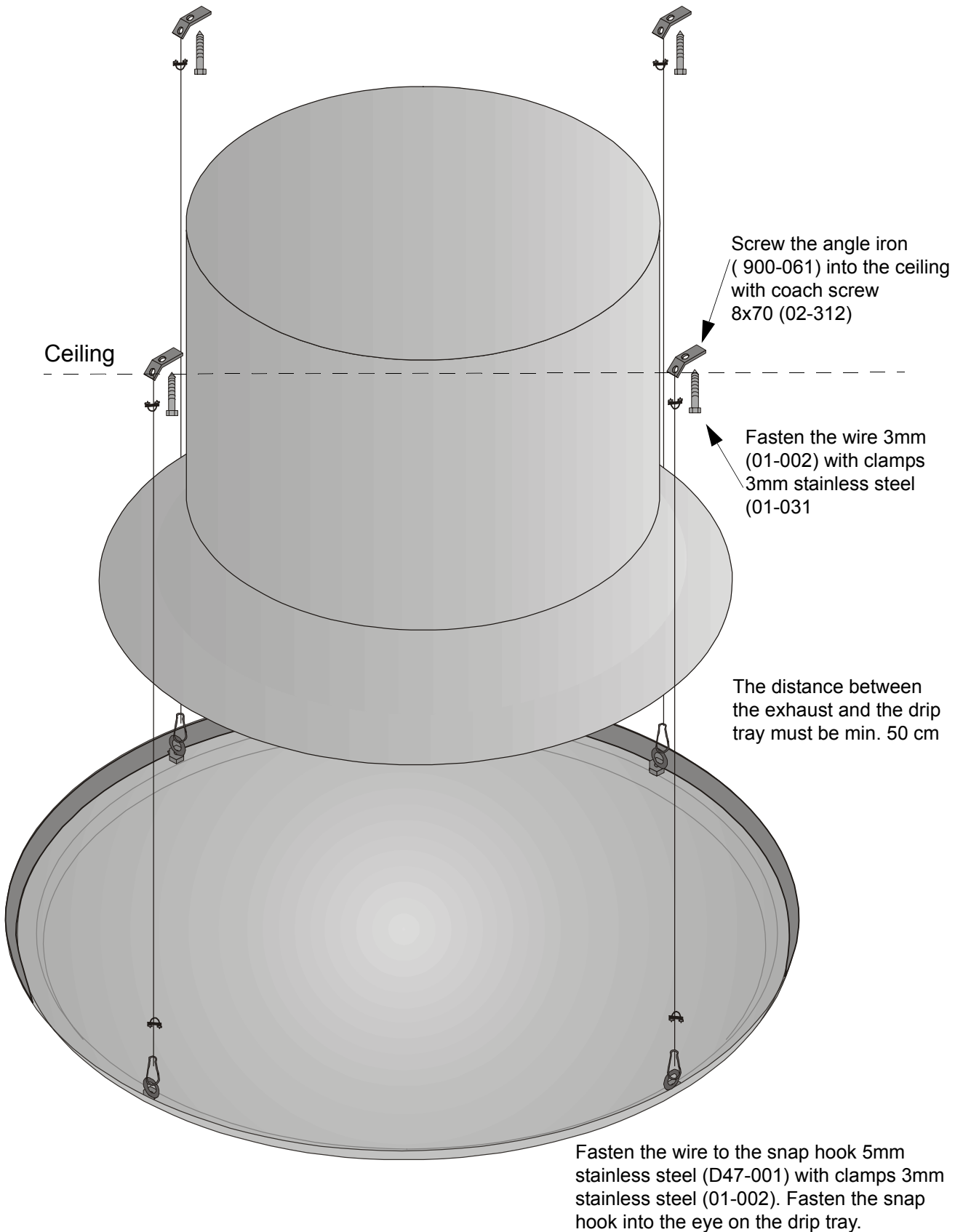


The light dimmer placed under the exhaust

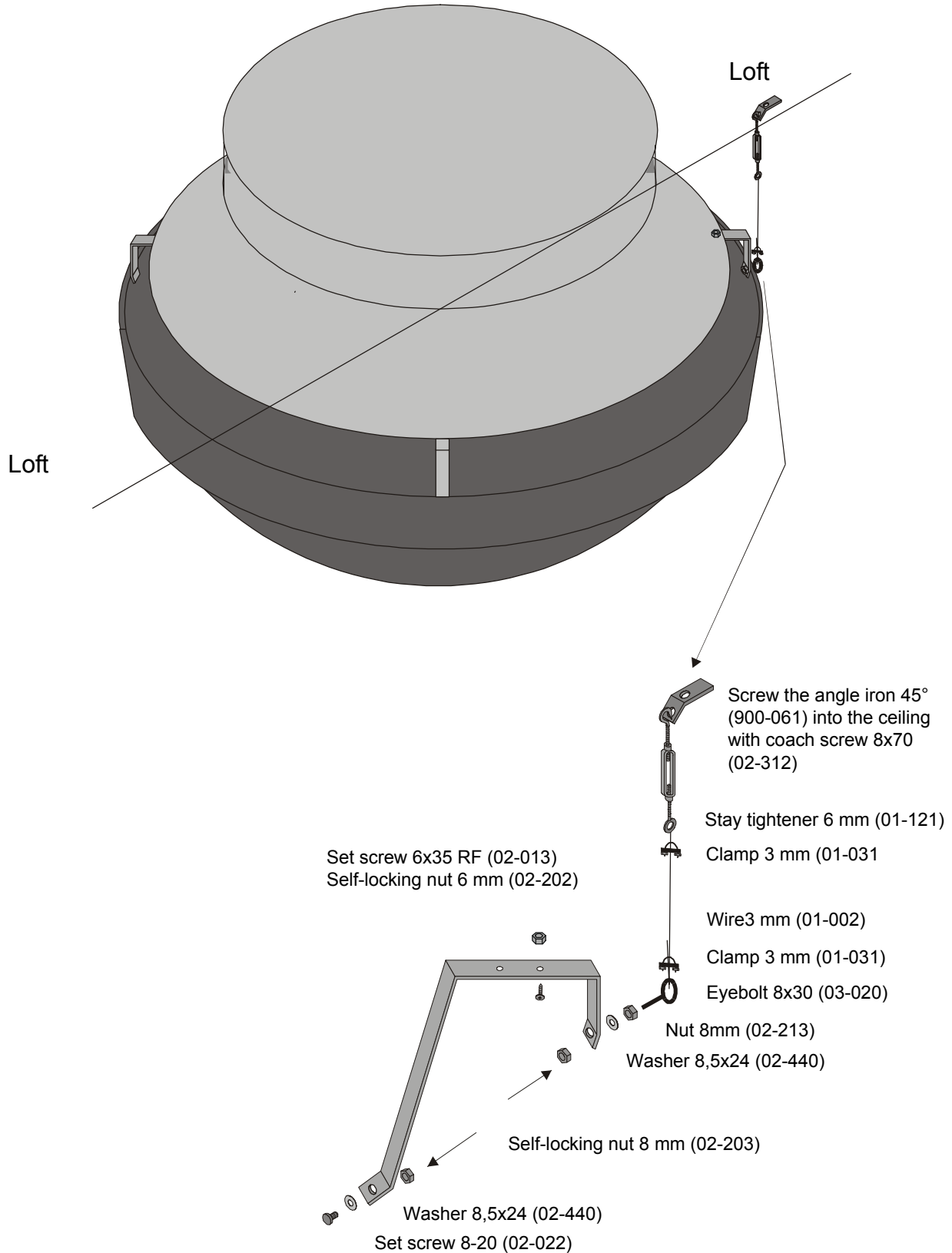


Fittings and stay tightener mounted on the light dimmer

Mounting the drip tray PE1200

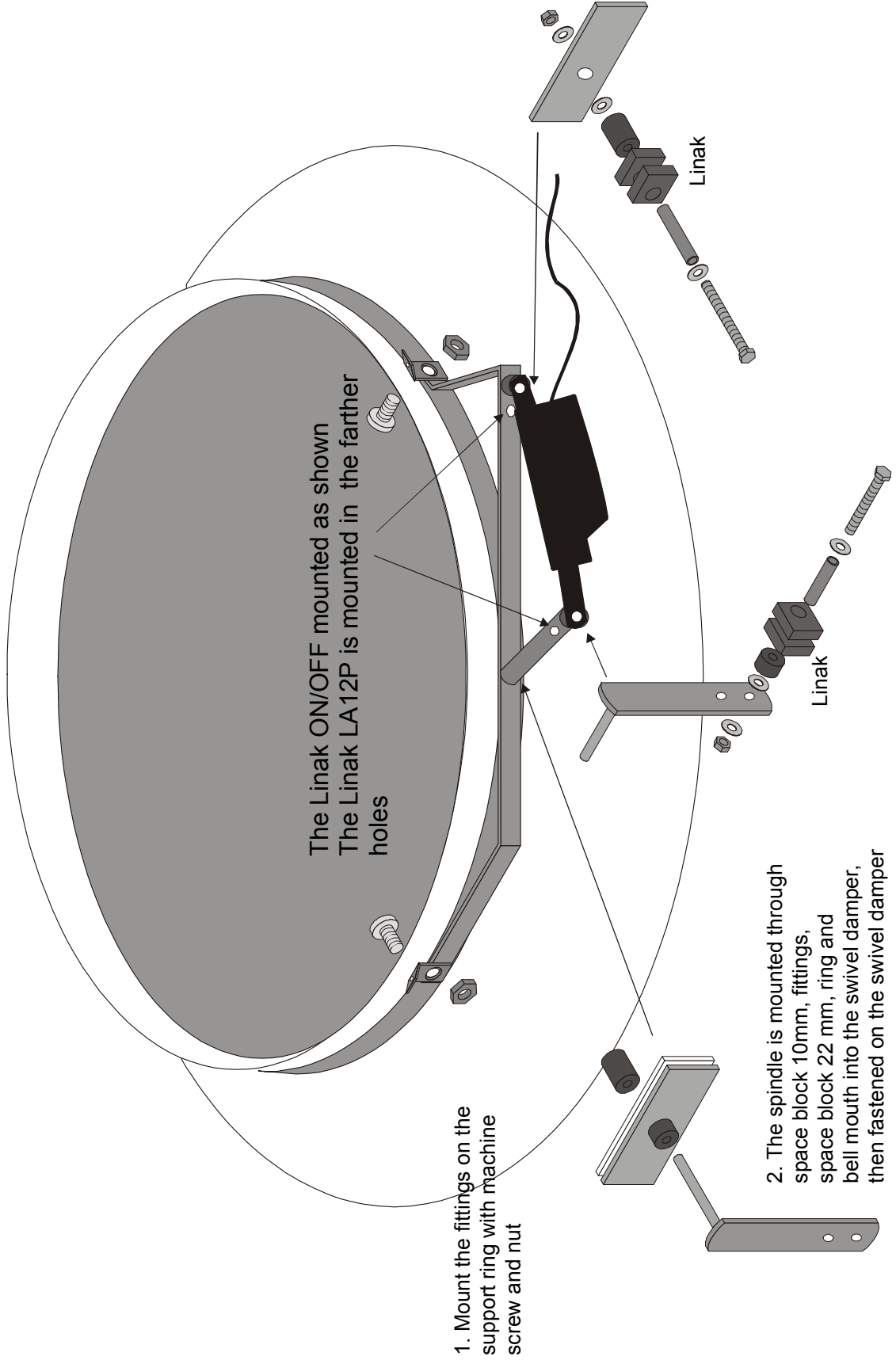


Mounting the light dimmer - exhaust through the loft $\varnothing 800$



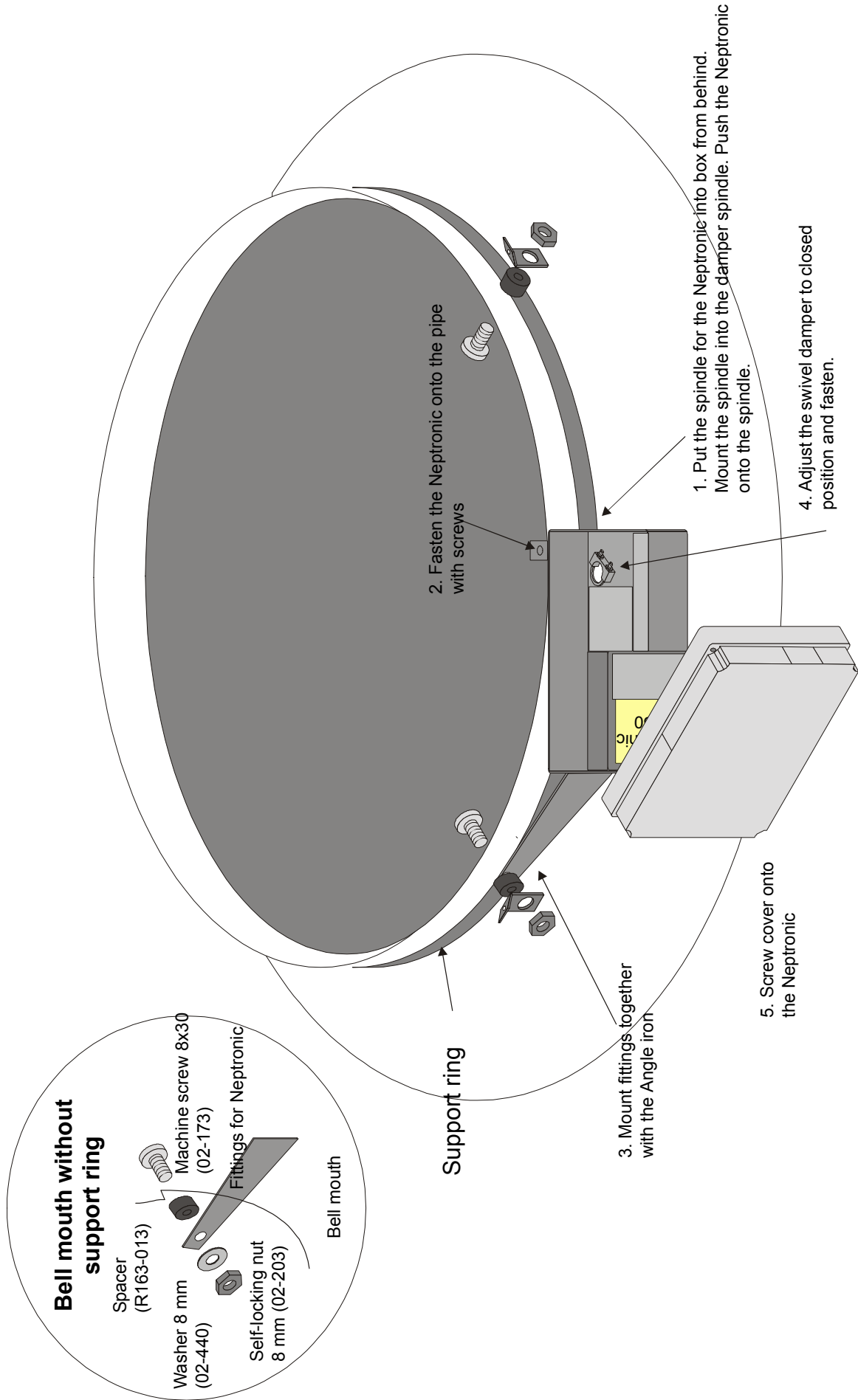
Mounting the Linak ON/OFF or the Linak LA12P on the swivel damper

T:\Montageblade\Vent\Framemaker\GBM-5105_GB_Udsugning_Ø800M-5105_GB_UDSUGNING_Ø800_fm



Mounting the Neptronic 4060 on the exhaust

T:\Montageblade\Vent\Framemaker\GBM-5105_GB_Udsugning_0800M-5105_GB_UDSUGNING_0800_fm



Mounting the wire pulling system on exhausts with regulator arm

Fig. 3

The wire and piano wire are assembled with 1 thimble, 1 stay tightener and 2 clamps

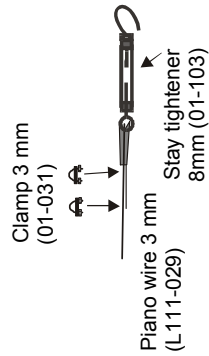


Fig. 4

Put the wire through a snap hook and fasten with 2 clamps. Hang the weight in the snap hook

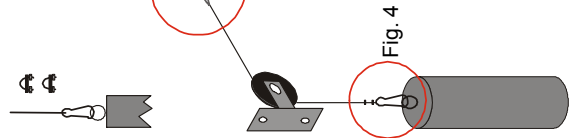
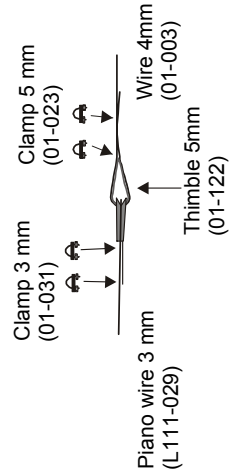


Fig. 5

Fig. 5

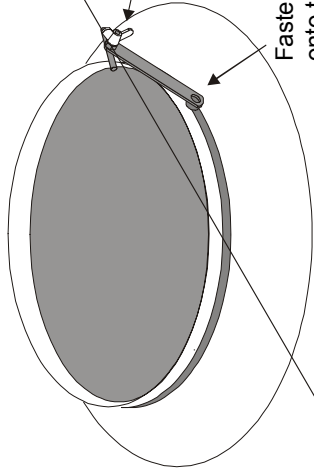


Screw into the ceiling with eye screw

Fig. 3

Wire 4 mm (01-003)

Loosen the thumbscrew and put the piano wire into the slot. Tighten the thumbscrew

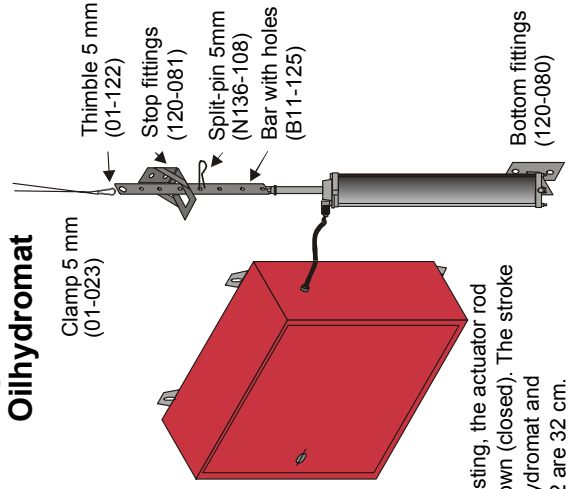


Fasten the regulator arm onto the damper spindle.

See fig. 1 or 2

When the damper is closed the regulator arm is in a position of 45° angle in proportion to the damper spindle

Fig. 1
Oilhydromat



When adjusting, the actuator rod must be down (closed). The stroke of the Oilhydromat and Linak LA32 are 32 cm.

Fig. 2
Linak LA32

