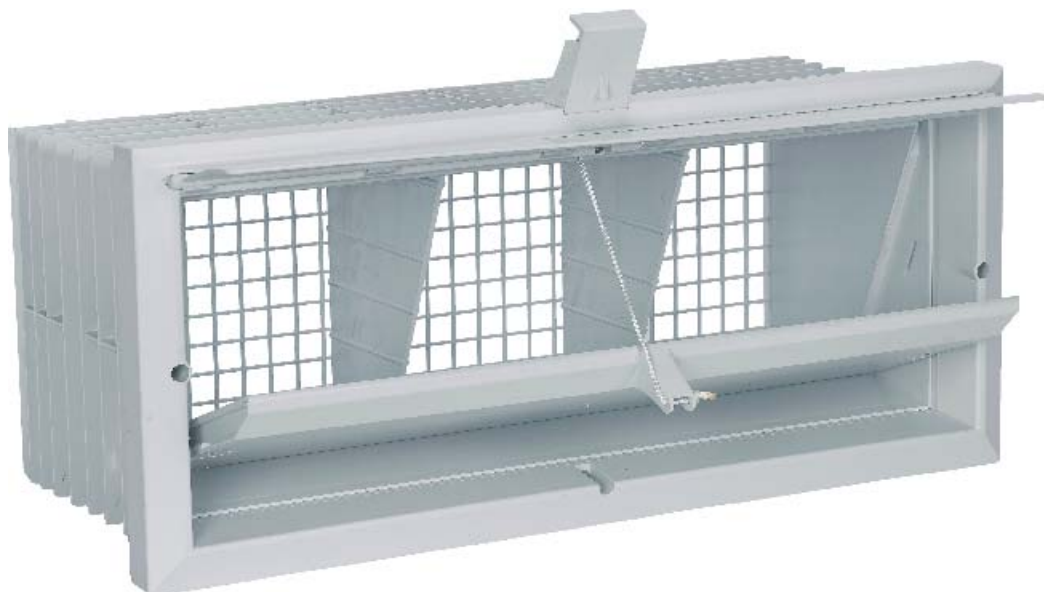


GB

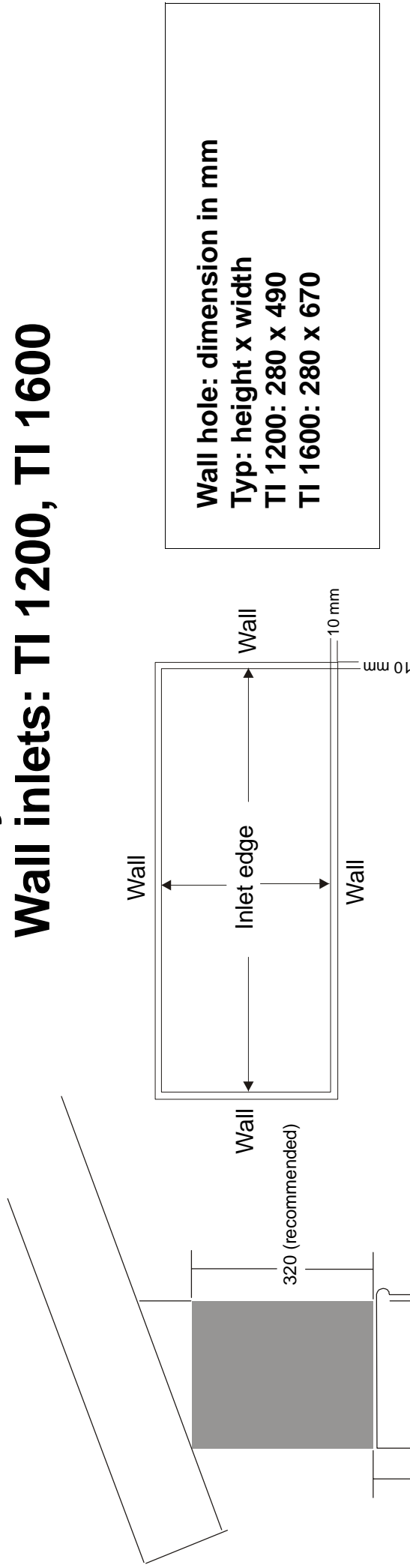
Assembly instruction

Wall inlet WI



Assembly instruction wall inlet WI

Wall inlets: TI 1200, TI 1600



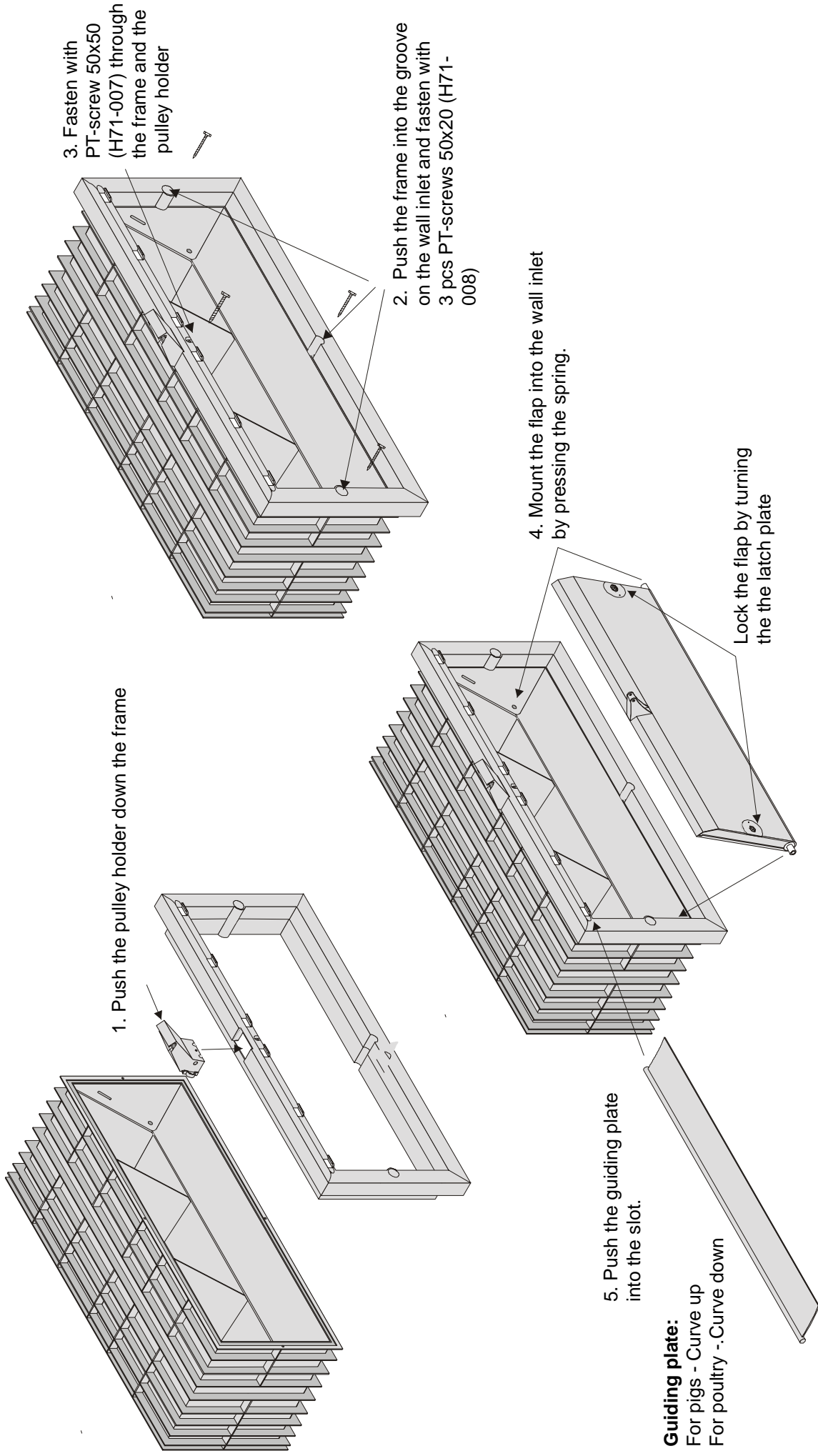
Mounting:

NB!! The wall inlet must be placed in the wall in a of distance of minimum 30 mm.

1. The wall inlet is centered in the wall hole with spacer
2. The wall inlet "must" be flush with the inside wall which is important because of the pulling system.
3. Fit the wall inlet temporarily with corner wedges. Check the tightness of the wall inlet by closing the flap manually at the pulling point.
4. Fasten the wall inlet in the corners with polyurethane foam.
5. Stuff with insulation material between the wall and the inlet before jointing with silicone
6. Mount the pulling arm on the flap with 2 pcs. 5x16 PT screws (See page 5).
7. Mount the bracket in the top right hand corner of the wall inlet with 2 pcs. 5x16 PT screws (See page 5).
8. Fasten the nylon string to the pulling arm via the bracket to the pulling system.

Assembly instruction wall inlet WI

The wall inlet mounted in the wall



Mounting the wire pulling system onto the wall inlets

The wall inlets must be closed when mounting the wire pulling system

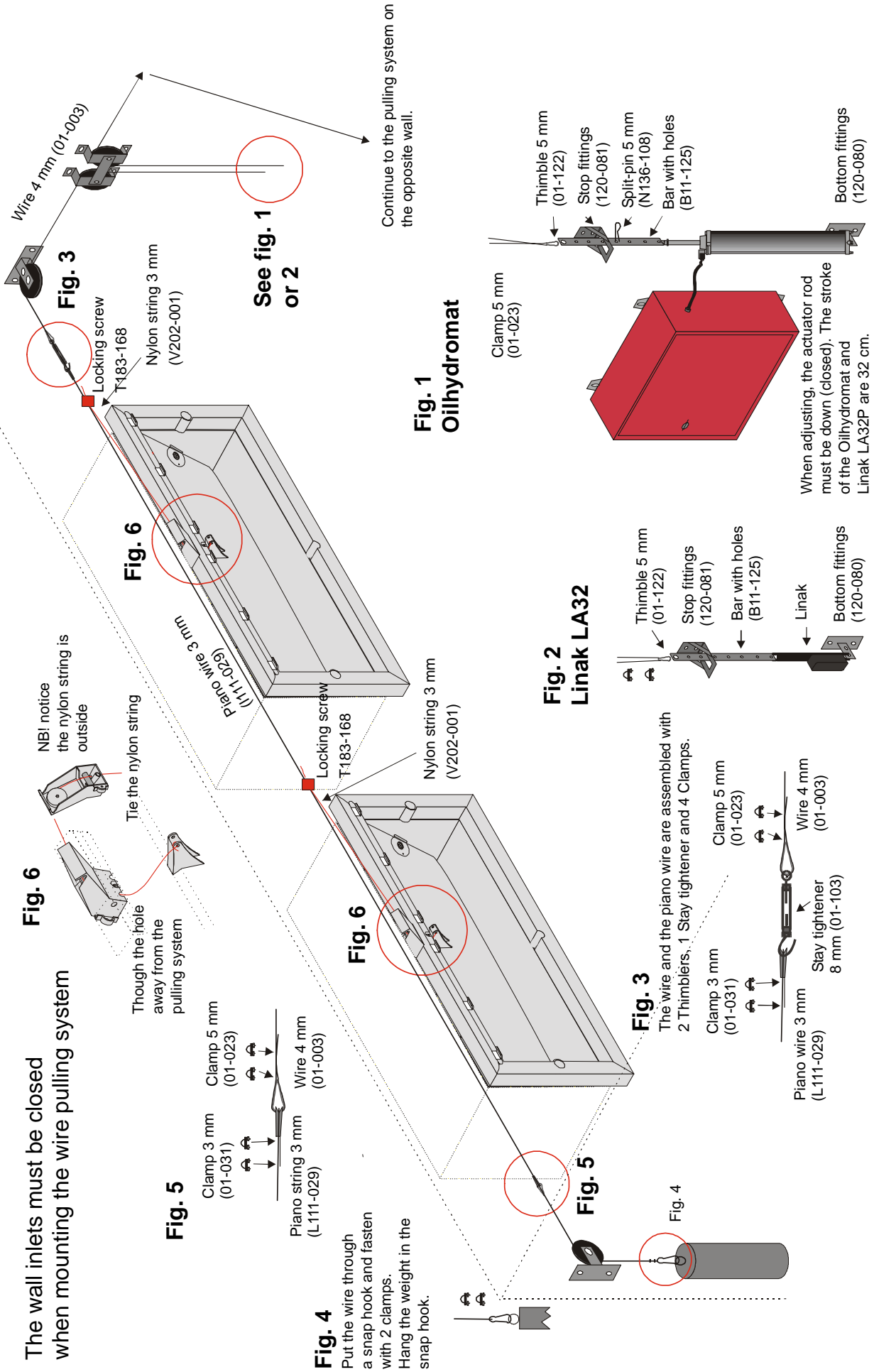


Fig. 6

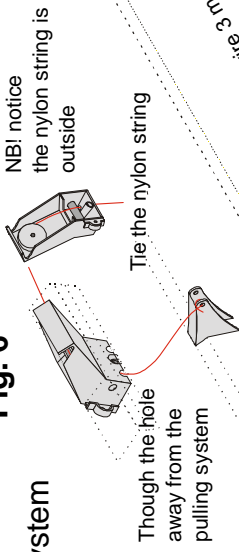


Fig. 3

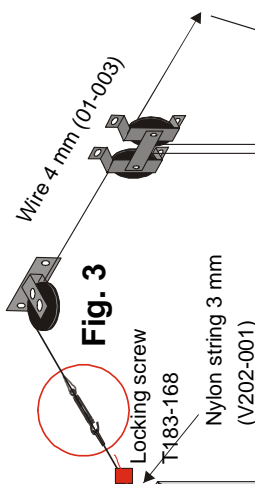


Fig. 6

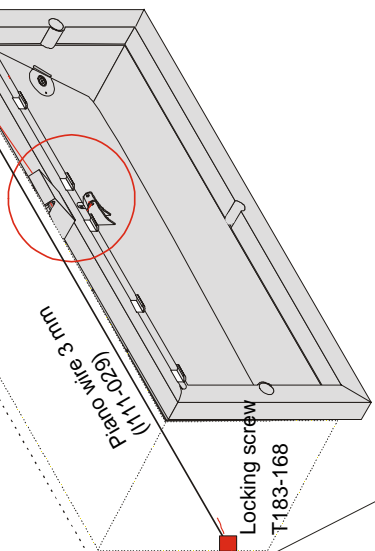


Fig. 5

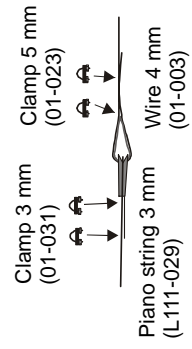


Fig. 4

Put the wire through a snap hook and fasten with 2 clamps. Hang the weight in the snap hook.

Fig. 6

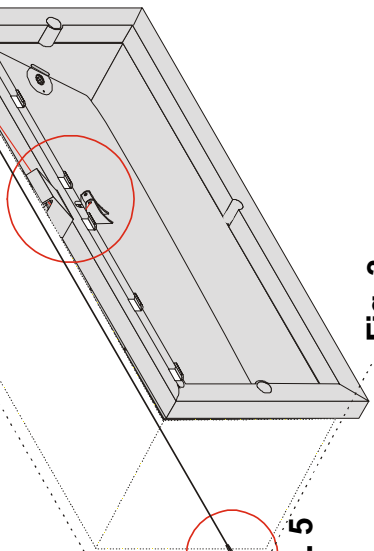
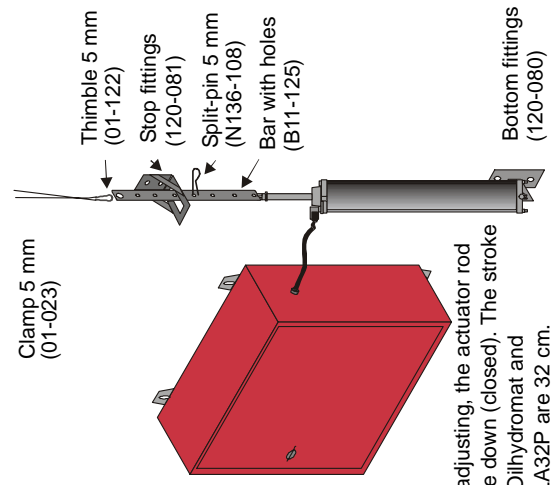


Fig. 1 Oilhydromat



When adjusting, the actuator rod must be down (closed). The stroke of the Oilhydromat and Linak LA32P are 32 cm.

Fig. 2 Linak LA32

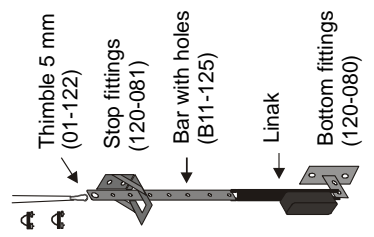
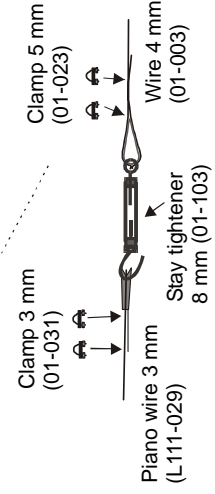
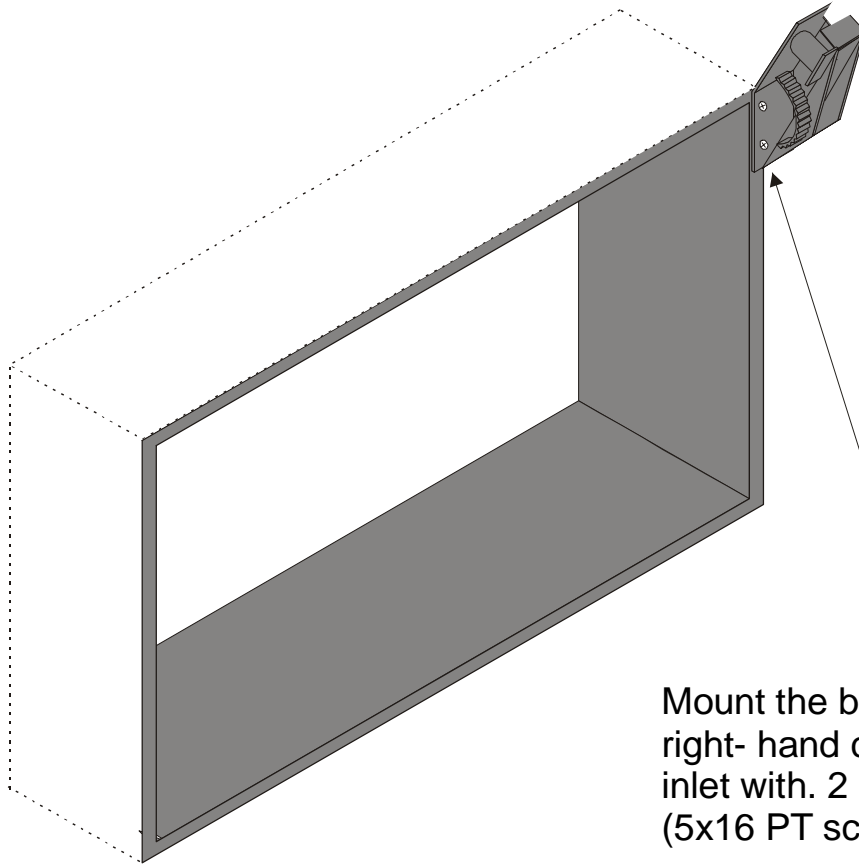


Fig. 3

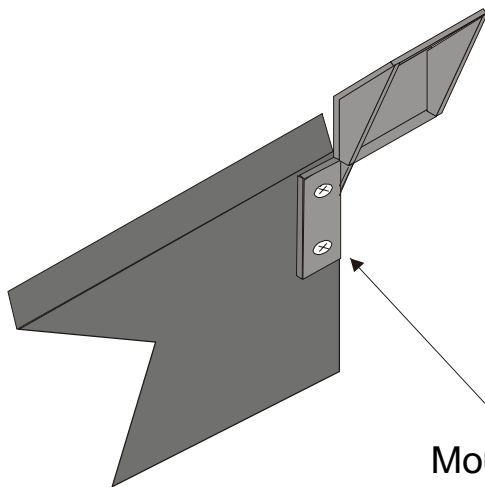
The wire and the piano wire are assembled with 2 Thimbles, 1 Stay tightener and 4 Clamps.



Assembly instrucktion



Mount the bracket in the top right- hand corner of the wall inlet with. 2 pcs. (5x16 PT screws)



Mount the pulling arm on the flap with 2 pcs. (5x16 PT screws)