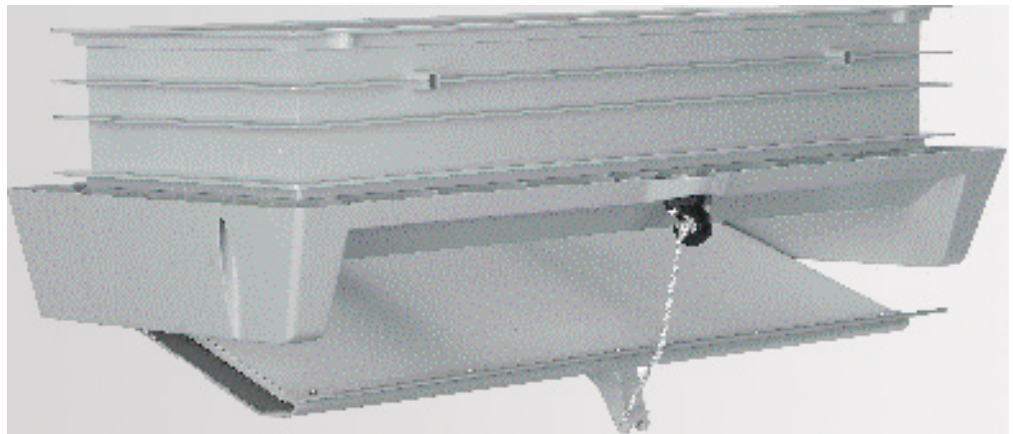


Assembly instruction

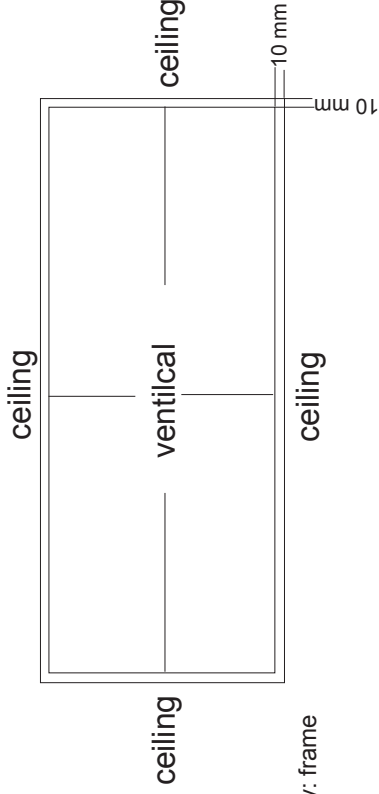
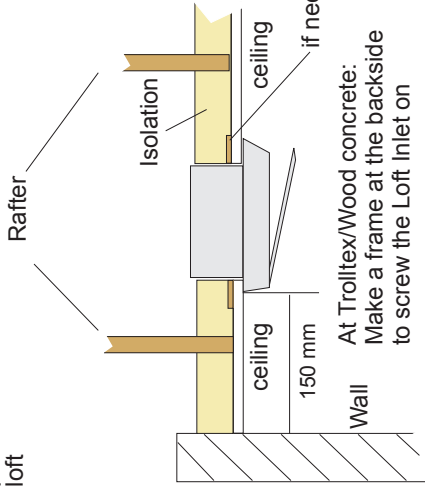


Loft inlet

M-5121 GB

Copyright © by ACO Funki
Version No. 040805
Printed at ACO Funki

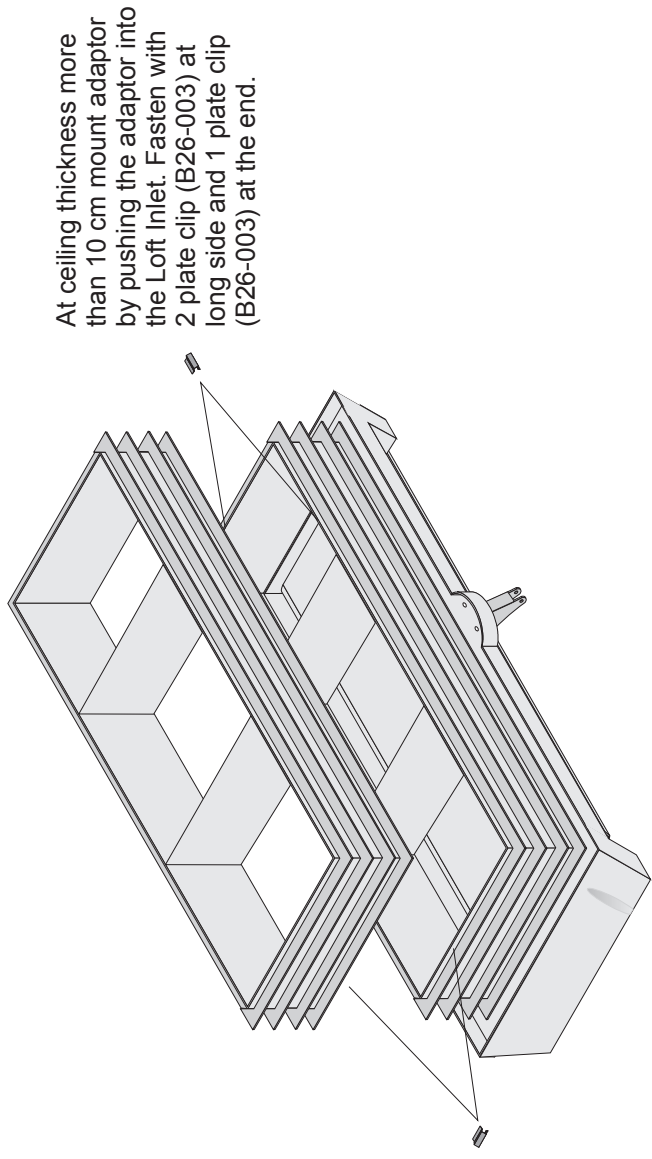
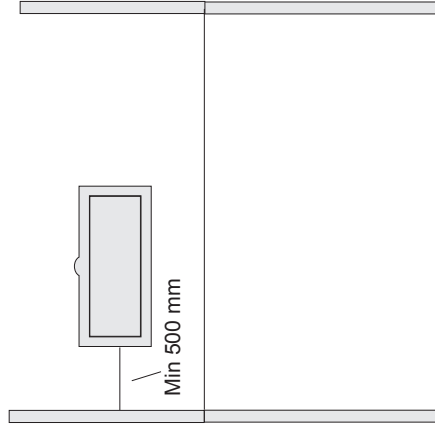
e.g.:
placement when
loft



Loft hole: dimension
length x width
655mm x 265 mm

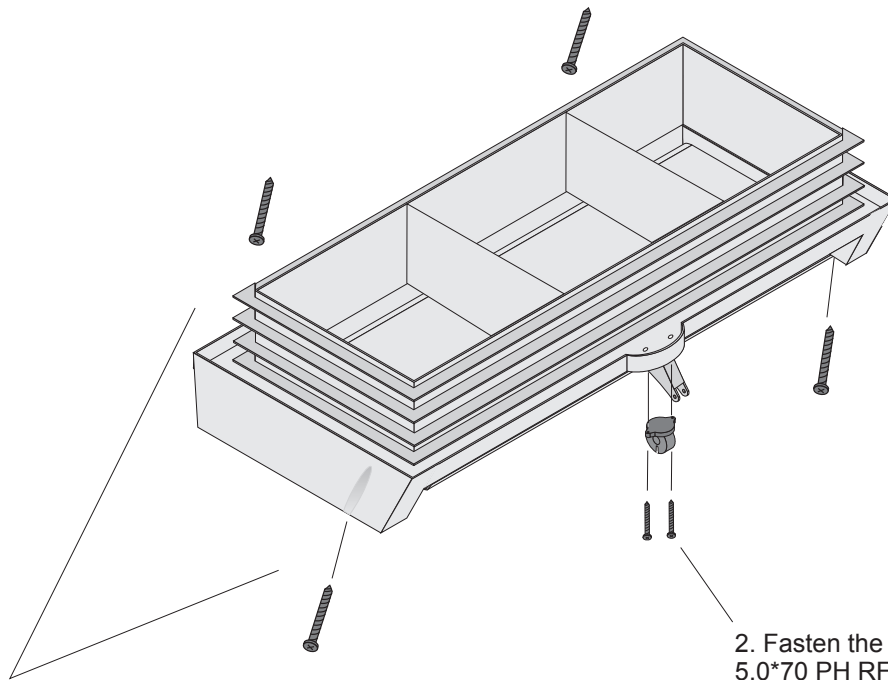
1. The Loft Inlet must be centered
in the hole

e.g.:
placement when
steelrafter



Assembly instruction

Loft Inlet



1. Screw the loft inlet onto the ceiling with 4 screws 5,0*50 UH RF (03-566)

2. Fasten the slide ring with 2 screws 5,0*70 PH RF (03-670) through the loft inlet onto the ceiling.



Mounting the wire pulling system onto the Loft Inlets

Loft inlet must be closed when mounting the wire pulling system

Fig. 5

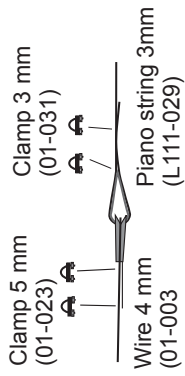


Fig. 4

Put the wire through a snap hook and fasten with 2 clamps. Hang the weight in the snap hook.

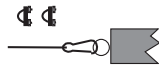
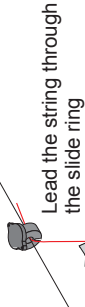


Fig. 6

NB! The main wire must be lead through the slide ring



Tie the string to the eye away from the pulling system

Fig. 6

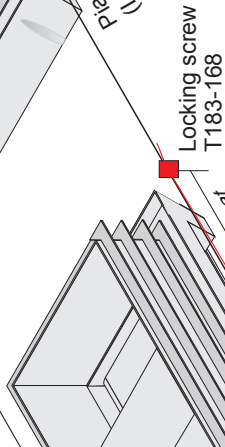


Fig. 6

Nylon string 3mm (V202-001)

Fig. 5



Fig. 3

The wire and the piano wire are assembled with 2 Thimbles, 1 Stay tightener and 4 clamps.

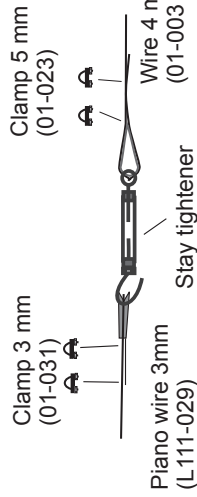


Fig. 4

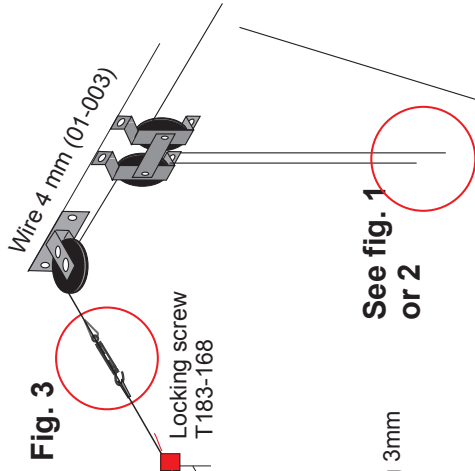
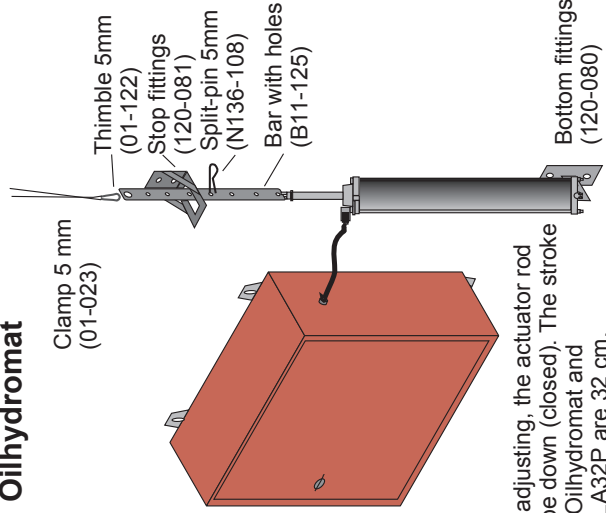


Fig. 3

See fig. 1 or 2

Continue to the pulling system on the opposite wall

Fig. 1 Oilhydromat



When adjusting, the actuator rod must be down (closed). The stroke of the Oilhydromat and Linak LA32P are 32 cm.

Fig.2 Linak LA32

