

The ACO logo consists of three vertical red bars of equal height, each containing a white letter: 'A', 'C', and 'O' from left to right.

ACO

The FUNKI logo features the word 'FUNKI' in a bold, black, sans-serif font, centered between two vertical red bars.

| FUNKI |

A close-up photograph of a red and white plastic dry feeding feeder. The feeder has a red top and a white body. A black nozzle is attached to the side. The background shows a farm setting with other similar feeders.

DRY FEEDING FEEDERS

Valid from 1 May 2024

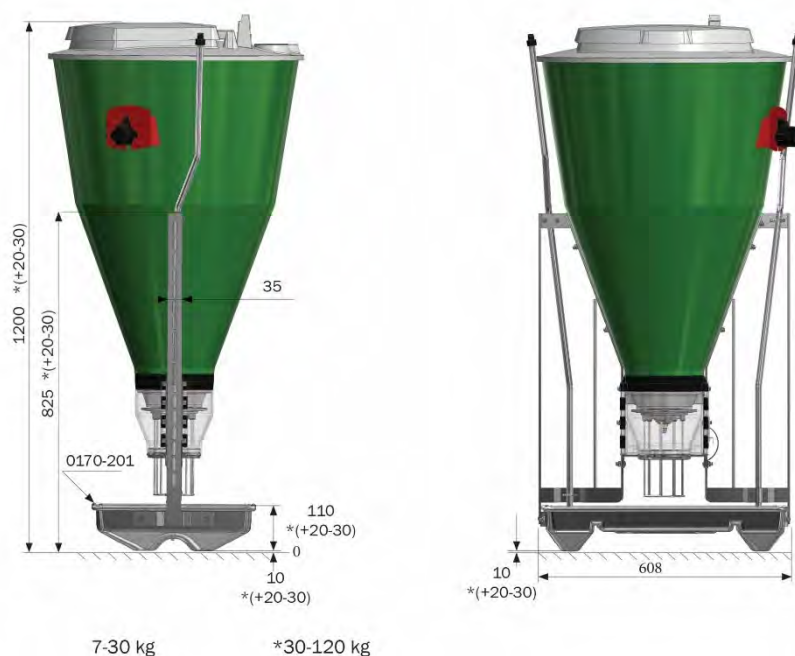
Price list 2024 

CONTENTS LIST

TUBE-O-MAT NX VI+	5
TUBE-O-MAT NX CLASSIC	6
TURBOMAX	8
FUNKIMAT	9
DOUBLE FUNKIMAT	10
FUNKIMAT ACCESSORIES	11
COMBI FEEDER	12
BABY FEEDER	13
TUBE-O-MAT VI+	14
TUBE-O-MAT CLASSIC	17
TUBE-O-MAT PIPE	19
TUBE-O-MAT TROUGH	20
TUBE-O-MAT AND TUBOMAX ACCESSORIES	20
3IN1 NX SPARE PART	21
BOX FEEDER - WEANERS	22
BOX FEEDER - FINISHERS	24
CCM FEEDER	25
DOWNPIPE T-PIECE	25
DOWNPIPE SOLID PIECE	26
DOWNPIPE ACCESSORIES	27
DOWNPIPE SOLID PIECE - Ø75 MM OUTLET	27
TERMS OF SALES AND DELIVERY	29

* more than 8 weeks delivery.

TUBE-O-MAT NX V+



560155M

TUBE-O-MAT NX V+
ASSEMBLED FEEDER



560155U

TUBE-O-MAT NX V+
UNASSEMBLED FEEDER



72391

TUBE-O-MAT@ VIP/VI+ SPIRAL LARGE

72177

TUBE-O-MAT@ VI+ PIN DOSING UNIT
ACCESSORIES FOR FEEDERS



72175

TUBE-O-MAT@ VI+ DOSING UNIT



70750

BOTTOM FOR HOPPER VI+
ACCESSORIES FOR FEEDERS



70752
 TUBE-O-MAT® VI+ COVER PART VI+ TRANSPARE
 ACCESSORIES FOR FEEDERS



72181
 TUBE-O-MAT® VI+ SLIDING LATCH *A
 ACCESSORIES FOR FEEDERS



72367
 TUBE-O-MAT® VIP/VI+ LIFTER COMPLETE

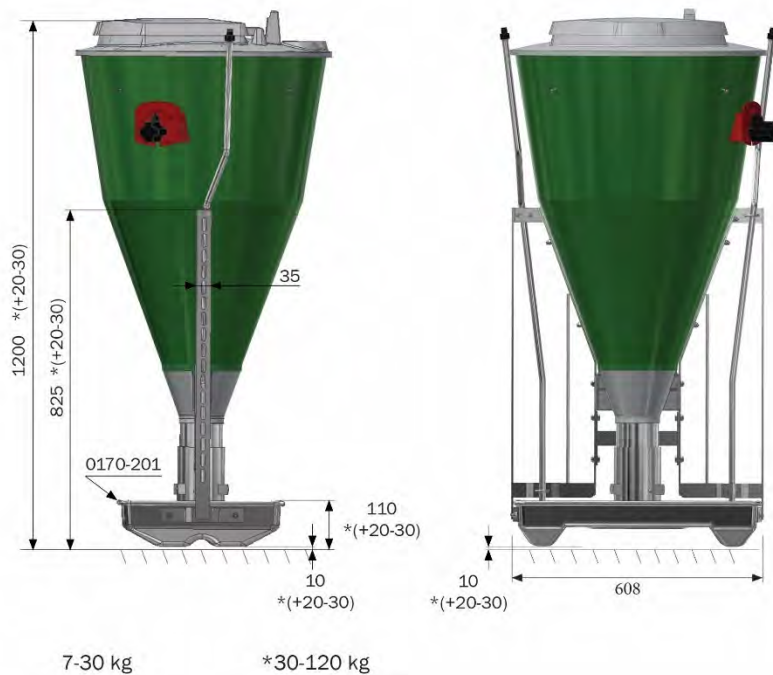


72371
 TUBE-O-MAT® LIFTER/SPIRAL GUIDANCE 8MM



67104
 M5 X 25 PAN HEAD SCREW PH DIN7985 A2

TUBE-O-MAT NX CLASSIC



560165M
 TUBE-O-MAT NX CLASSIC
 ASSEMBLED FEEDER



560165U
 TUBE-O-MAT NX CLASSIC
 UNASSEMBLED FEEDER



72395
HELIX SMALL



72371
TUBE-O-MAT® LIFTER/SPIRAL GUIDANCE 8MM



72374
TUBE-O-MAT® TOP/PIGNIC ROTORHOVED U/LÅS



67104
M5 X 25 PAN HEAD SCREW PH DIN7985 A2



70745
PIG NIC COLLAR FOR TUBE-O-MAT CLASSIC
ACCESSORIES FOR TUBE-O-MAT CLASSIC

TUBE-O-MAT NX Accessories



550580
HOPPER FOR 3IN1 NX 120 L



550588
TOP FOR 3IN1 NX, WHITE



550589
TOP LID 3IN1 NX, WHITE



93245
TILT VALVE TUBE-O-MAT® 3/8" INTERNAL THREAD

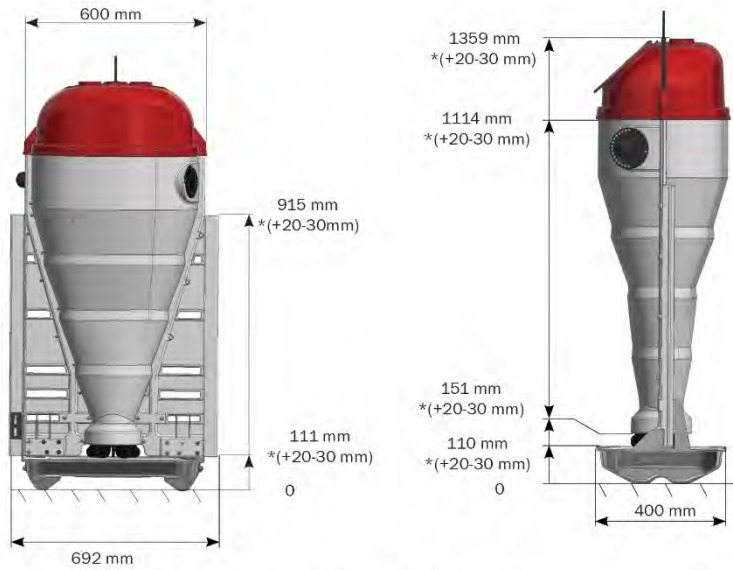


18849
BRACING TOP, GALVANIZED
ACCESSORIES FOR FEEDERS



72316
TUBE-O-MAT® ADJUSTMENT HANDLE INCL. TURN ROD

TURBOMAX



Measurements marked with * apply to finishers (30-120 kg).
Rest measurements apply to piglets (7-30 kg).



560180M

TURBOMAX FEEDER 7-30 KG
ASSEMBLED FEEDER



560180U

TURBOMAX FEEDER 7-30 KG
UNASSEMBLED FEEDER



560185M

TURBOMAX FEEDER 30-120 KG
ASSEMBLED FEEDER



560185U

TURBOMAX FEEDER 30-120 KG
UNASSEMBLED FEEDER



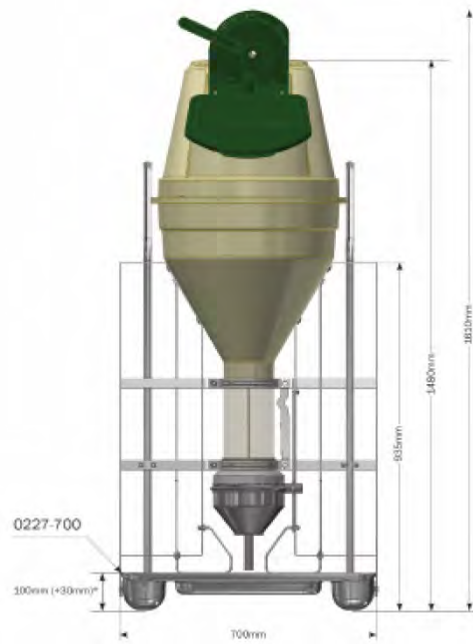
0228-276

STAINLESS STEEL POST FOR FEEDER



0228-231

DRINKING VALVE SET FOR FEEDER



*The height of 0227-701 trough for finisher is 130 mm



560710M

FUNKIMAT WEANER WITH STAINLESS STEEL TROUGH (FLAT-FLAT)
ASSEMBLED FEEDER



560710U

FUNKIMAT WEANER WITH STAINLESS STEEL TROUGH (FLAT-FLAT)
UNASSEMBLED FEEDER



560711M

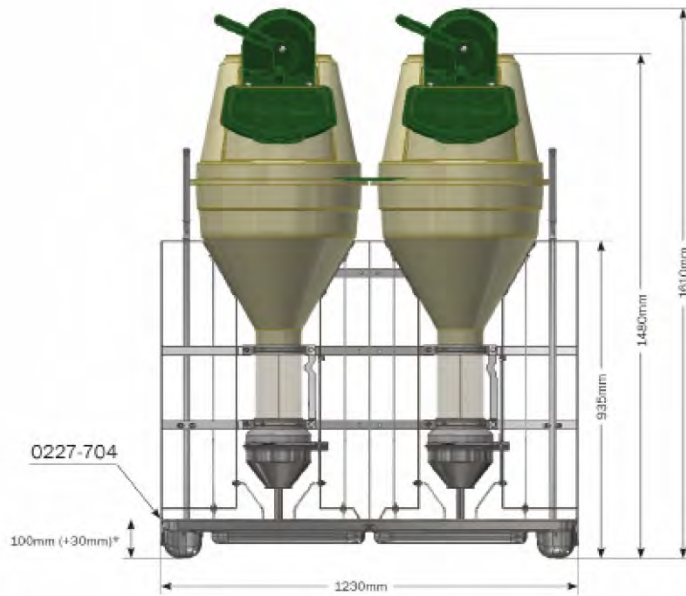
FUNKIMAT FINISHER WITH STAINLESS STEEL TROUGH (FLAT-FLAT)
ASSEMBLED FEEDER



560711U

FUNKIMAT FINISHER WITH STAINLESS STEEL TROUGH (FLAT-FLAT)
UNASSEMBLED FEEDER

Double Funkimat



*The height of 0227-705 trough for finisher is 130 mm



0227-670

DOUBLE FUNKIMAT (FLAT-FLAT) - UNASSEMBLED



0227-714

ST TROUGH WEANER FOR DOUBLE FUNKIMAT, COMPLETE



0227-715

ST TROUGH FINISHER FOR DOUBLE FUNKIMAT, COMPLETE



0227-800

DOUBLE FUNKIMAT (FLAT-FLAT) WEANER MOUNTED



0227-900

DOUBLE FUNKIMAT (FLAT-FLAT) FINISHER - MOUNTED

Funkimat Accessories



0227-088

DOSAGE DISC VER. 3



0227-309

DOSAGE DISC VER. 4 SMALL



0227-370

RATAINER SPRING FOR DOSAGE DEVICE, STAINLESS STEEL FUNKIMAT VER. 2



38524

MOUNTING KIT FOR U-POST AGAINST FEEDERS



0227-440

DOSAGE DEVICE FOR FUNKIMAT, ASSEMBLED



0227-438

LOWER STAINLESS FUNNEL VER. 3



0227-319

CROSS FOR PREVENTING BLOCKING OF FEED FOR FUNKIMAT AND 3IN1ROTO



0227-558

FLOOR PLATE FOR DOUBLE FUNKIMAT AND 3N1 ROTO 10X1200X1200 MM
LDPE STRUCTURE FOR UNDER FEEDERS



0227-559

FLOOR PLATE FOR SINGLE FUNKIMAT AND 3IN1 ROTO 10X670X1200 MM
LDPE STRUCTURE UNDER FEEDERS



0228-276

STAINLESS STEEL POST FOR FEEDER



0227-274

SOLID POST FOR FEED DISPENSER, 950MM



0227-150

ST TROUGH FOOT ADJUSTABLE FOR FEEDER



12100107

TILT VALVE 1/2" ST TYPE 13
DRINKING VALVE



0227-580

WATER CONNECTING FOR SINGEL FEEDER 10 MM AQUASPEED WITH 1/2" OUTSIDE
THREAD



0227-587

HANGER FOR FEEDING PIPE



0227-579

WATER CONNECTING FOR DOUBLE FEEDERS, 10MM AQUASPEED WITH 1/2" OUTSIDE
THREAD



0227-597

HANGER FOR FEEDING PIPE, DOUBLE FEEDERS

Combi Feeder



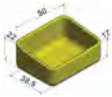
0227-495

COMBI FEEDER COMPLETE



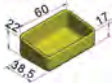
0227-480

WATERPIPE FOR COMBI FEEDER



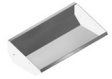
09550

SINGLE TROUGH T35-50, FOR ENCASED IN CONCRETE



09552

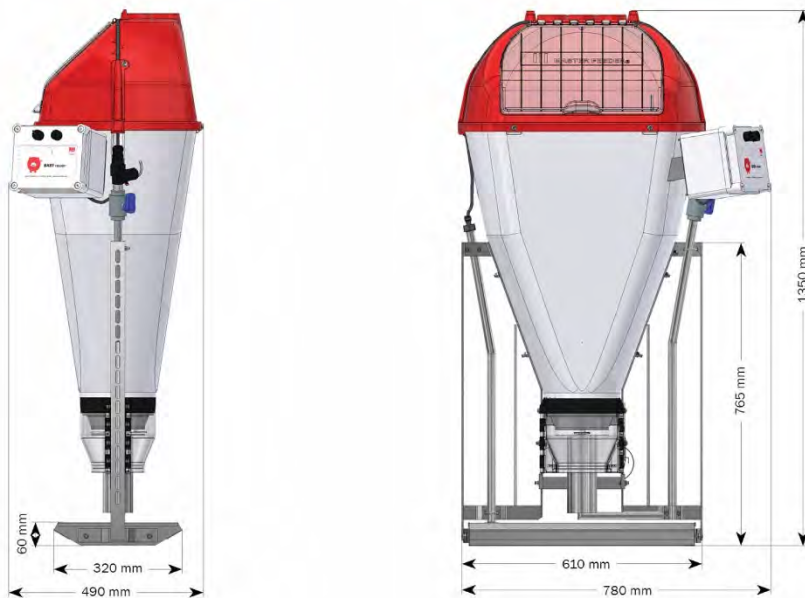
SINGLE TROUGH T35-60, FOR ENCASED IN CONCRETE



2750490

TROUGH FOR COMBI FEEDER, STAINLESS STEEL

Baby Feeder



0229-000

BABY FEEDER

ASSEMBLED FEEDER



0229-001

PLATE AND ACCESORIES FOR STAND-ALONE BABY FEEDER

ACCESORIES TO BABY FEEDER



0229-034

DOSAGE DISC Ø129 LDPE

ACCESSORIES FOR FEEDERS



0229-033

DOSAGE DISC Ø125 LDPE

ACCESSORIES FOR FEEDERS

72177

TUBE-O-MAT® VI+ PIN DOSING UNIT
ACCESSORIES FOR FEEDERS



70752

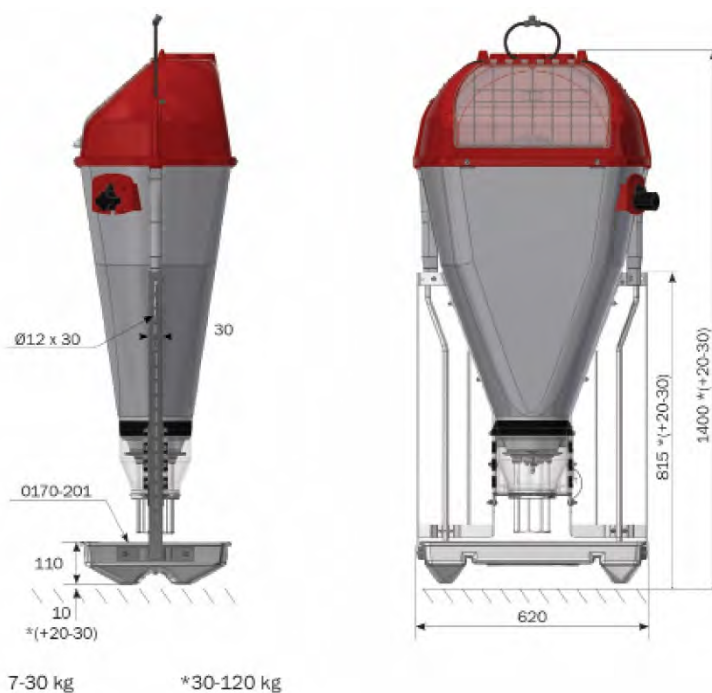
TUBE-O-MAT® VI+ COVER PART VI+ TRANSPARE
ACCESSORIES FOR FEEDERS



72181

TUBE-O-MAT® VI+ SLIDING LATCH *A
ACCESSORIES FOR FEEDERS

TUBE-O-MAT® VI+



89550M

TUBE-O-MAT® VI+ WTF
ASSEMBLED FEEDER



89550U

TUBE-O-MAT® VI+ WTF
UNASSEMBLED FEEDER



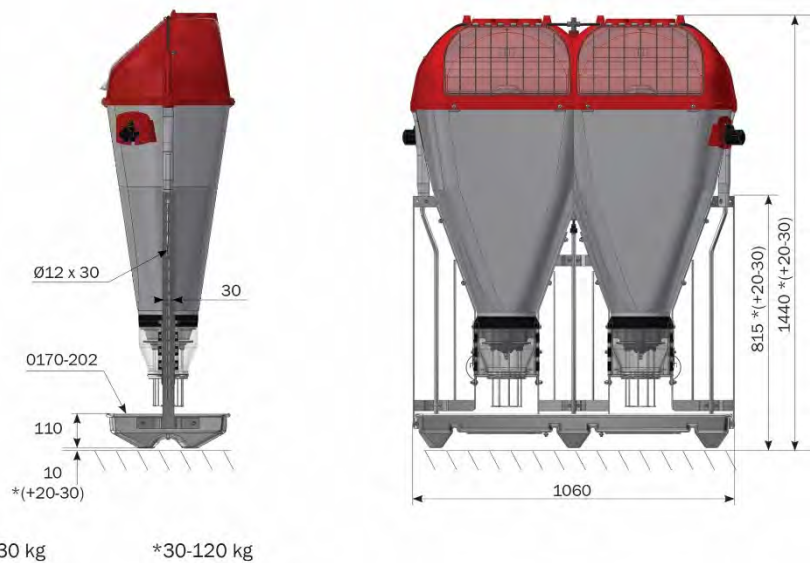
89560M

TUBE-O-MAT® VI+ FINISHER
ASSEMBLED FEEDER



89560U

TUBE-O-MAT® VI+ FINISHER
UNASSEMBLED FEEDER



89650M
TUBE-O-MAT® VI+JUMBO WTF
ASSEMBLED FEEDER



89650U
TUBE-O-MAT® VI+ JUMBO WTF
UNASSEMBLED FEEDER



89660M
TUBE-O-MAT® VI+ JUMBO FINISHER
ASSEMBLED FEEDER



89660U
TUBE-O-MAT® VI+ JUMBO FINISHER
UNASSEMBLED FEEDER



38524
MOUNTING KIT FOR U-POST AGAINST FEEDERS



70711
TUBE-O-MAT® HOPPER 2008
ACCESSORIES FOR FEEDERS



70723
TUBE-O-MAT® JUMBO HOPPER 2008



73710
HATCH RED 0.8% UV TUBE-O-MAT® 2008

ACCESSORIES FOR FEEDERS



73720

TUBE-O-MAT® JUMBO 2008 LID PART FIXED



73700

LID PART HINGED TUBE-O-MAT® 2008
ACCESSORIES FOR FEEDERS



73701

TUBE-O-MAT® 2008 HINGE PIN HATCH 2008
ACCESSORIES FOR FEEDERS



72391

TUBE-O-MAT® VIP/VI+ SPIRAL LARGE



76262

MOUNTING KIT FEEDING PARTS FOR TUBE-O-MAT AND LTD VI+
ACCESSORIES FOR FEEDERS



93245

TILT VALVE TUBE-O-MAT® 3/8" INTERNAL THREAD



72177

TUBE-O-MAT® VI+ PIN DOSING UNIT
ACCESSORIES FOR FEEDERS



72175

TUBE-O-MAT® VI+ DOSING UNIT



70752

TUBE-O-MAT® VI+ COVER PART VI+ TRANSPARE
ACCESSORIES FOR FEEDERS



70750

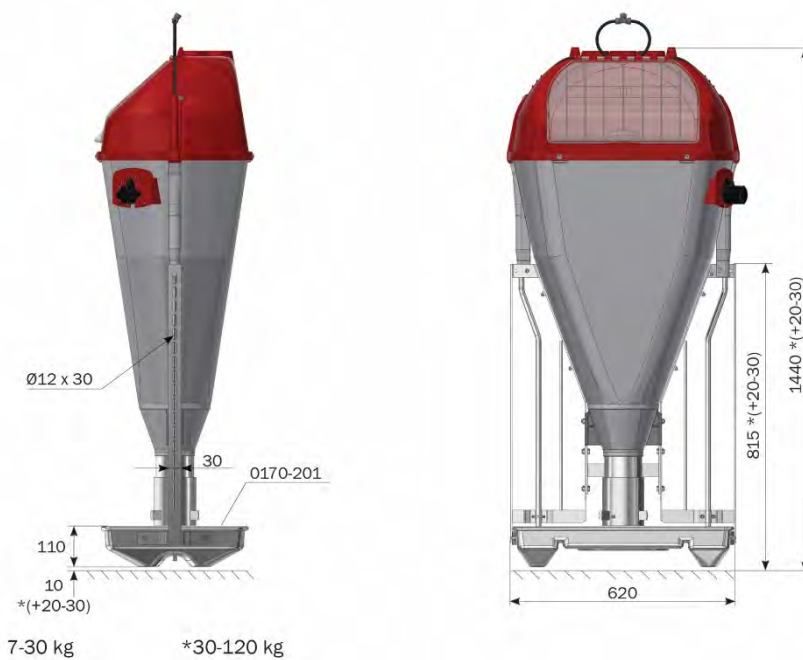
BOTTOM FOR HOPPER VI+
ACCESSORIES FOR FEEDERS



72181

TUBE-O-MAT® VI+ SLIDING LATCH *A
ACCESSORIES FOR FEEDERS

TUBE-O-MAT® CLASSIC



89585M

TUBE-O-MAT® CLASSIC WTF
ASSEMBLED FEEDER



89585U

TUBE-O-MAT® CLASSIC WTF
UNASSEMBLED FEEDER



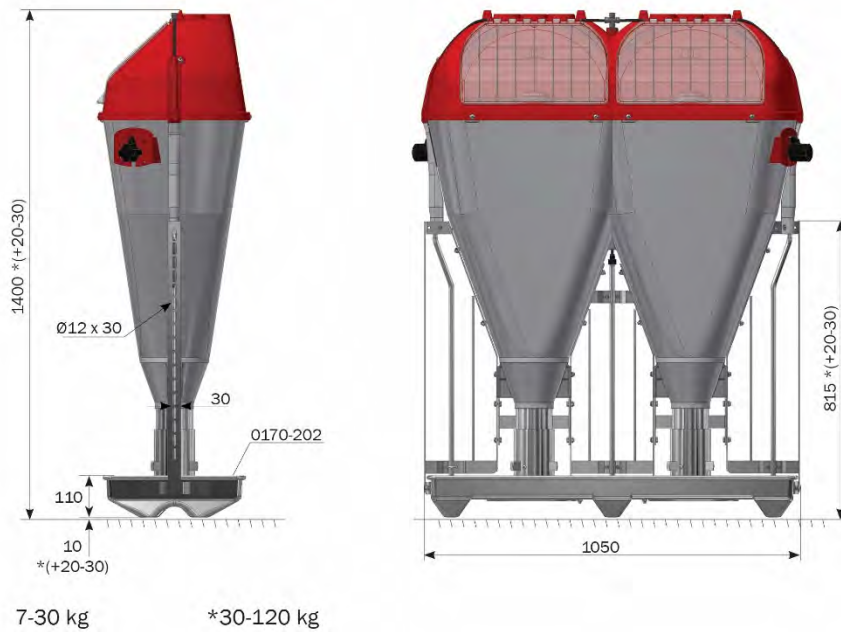
89587M

TUBE-O-MAT® CLASSIC FINISHER
ASSEMBLED FEEDER



89587U

TUBE-O-MAT® CLASSIC FINISHER
UNASSEMBLED FEEDER



89685M

TUBE-O-MAT® CLASSIC JUMBO WTF
ASSEMBLED FEEDER



89685U

TUBE-O-MAT® CLASSIC JUMBO WTF
UNASSEMBLED FEEDER



89687M

TUBE-O-MAT® CLASSIC JUMBO FINISHER
ASSEMBLED FEEDER



89687U

TUBE-O-MAT® CLASSIC JUMBO FINISHER
UNASSEMBLED FEEDER



38524

MOUNTING KIT FOR U-POST AGAINST FEEDERS



70711

TUBE-O-MAT® HOPPER 2008
ACCESSORIES FOR FEEDERS



70723

TUBE-O-MAT® JUMBO HOPPER 2008



73710

HATCH RED 0.8% UV TUBE-O-MAT® 2008
ACCESSORIES FOR FEEDERS



73720

TUBE-O-MAT® JUMBO 2008 LID PART FIXED



73700

LID PART HINGED TUBE-O-MAT® 2008
ACCESSORIES FOR FEEDERS



73701

TUBE-O-MAT® 2008 HINGE PIN HATCH 2008
ACCESSORIES FOR FEEDERS



72395

HELIX SMALL



76275

MOUNTING KIT FEEDING PARTS FOR TUBE-O-MAT AND LTD CLASSIC



93245

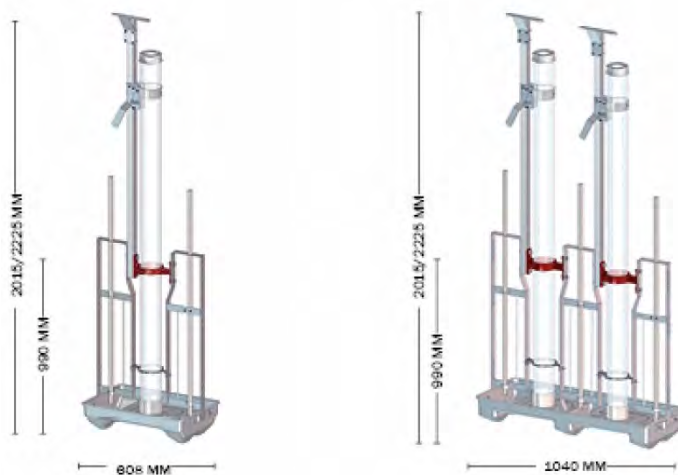
TILT VALVE TUBE-O-MAT® 3/8" INTERNAL THREAD



70745

PIG NIC COLLAR FOR TUBE-O-MAT CLASSIC
ACCESSORIES FOR TUBE-O-MAT CLASSIC

TUBE-O-MAT® PIPE



89504M

TUBE-O-MAT® TUBE FINISHER
ASSEMBLED FEEDER



89504U

TUBE-O-MAT® TUBE FINISHER
UNASSEMBLED FEEDER



89684M

TUBE-O-MAT® TUBE JUMBO FINISHER
ASSEMBLED FEEDER



89684U

TUBE-O-MAT® TUBE JUMBO FINISHER
UNASSEMBLED FEEDER

TUBE-O-MAT Trough



0170-201

SINGLE TROUGH TOM V+ AND CLASSIC WTF 11X40X60 CM



0170-202

DOUBLE TROUGH TOM V+ AND CLASSIC 11X40X103 CM

TUBE-O-MAT and TUBOMAX Accessories



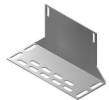
74501

FOOT BRACKET 16/18 CM - FINISHER TUBE-O-MAT®



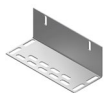
74502

FOOT BRACKET 12/18 CM - WTF TUBE-O-MAT®



74503

FOOT BRACKET 16/25 CM - FINISHER TUBE-O-MAT®



74504

FOOT BRACKETS 12/25 CM - WTF



89014

FLOOR PLATE FOR SINGLE TUBE-O-MAT 10X608X1200 MM
LDPE STRUCTURE UNDER FEEDERS



89016

FLOOR PLATE FOR DOUBLE TUBE-O-MAT 10X1040X1200 MM
LDPE STRUCTURE UNDER FEEDERS

3IN1 NX spare part



550580

HOPPER FOR 3IN1 NX 120 L



550588

TOP FOR 3IN1 NX, WHITE



550589

TOP LID 3IN1 NX, WHITE



560597

ACCESSORIES BOX, 3IN1 NX VERS. 2



18724

THREE-LEG, 3-IN-1 PLASTIC HOPPER, 96 CM



550599

BOTTOM HOPPER FOR 3IN1 FEEDER



281523

FEEDING PIPE 3IN1 WITH PLASTIC COLLAR



18723

FEEDINGTUBE, WITH STAINLESS STEEL COLLAR FOR 3IN1 FEEDER



18848

GUIDE RING STAINLESS STEEL FOR 3IN1 NX



18846

RECEPTION RING FOR HOPPER 3IN1



18614

FITTING FOR LIMITED ACCESS TO FEED FOR 3IN1 FEEDER, INCL. FASTENING SCREWS



281490

PRESSURE VALVE 3IN1 SS 1/2" EXTERNAL THREAD



281496

TILT VALVE STAINLESS STEEL FOR TOM PIPE FEEDER 1/2" EXTERNAL THREAD

Rare spare parts



281518

SLIDING ELEMENT FOR 3IN1 NX



72395

HELIX SMALL

Box feeder - Weaners



560042M *

BOX FEEDERS WEANERS 2X1 SS TROUGH 41,5X74X31 CM ASSEMBLED
ASSEMBLED FEEDER



560042U *

BOX FEEDERS WEANERS 2X1 SS TROUGH 41,5X74X31 CM UNASSEMBLED
UNASSEMBLED FEEDER



560043M *

BOX FEEDERS WEANERS 3X1 SS TROUGH 61,5X74X31 CM ASSEMBLED
ASSEMBLED FEEDER



560043U *

BOX FEEDERS WEANERS 3X1 SS TROUGH 61,5X74X31 CM UNASSEMBLED
UNASSEMBLED FEEDER



560044M *

BOX FEEDERS WEANERS 4X1 SS TROUGH 81,5X74X31 CM ASSEMBLED
ASSEMBLED FEEDER



560044U *

BOX FEEDERS WEANERS 4X1 SS TROUGH 81,5X74X31 CM UNASSEMBLED
UNASSEMBLED FEEDER



560045M *

BOX FEEDERS WEANERS 5X1 SS TROUGH 101,5X74X31 CM ASSEMBLED
ASSEMBLED FEEDER



560045U *

BOX FEEDERS WEANERS 5X1 SS TROUGH 101,5X74X31 CM UNASSEMBLED

UNASSEMBLED FEEDER



560046M *

BOX FEEDERS WEANERS 6X1 SS TROUGH 121,5X74X31 CM ASSEMBLED
ASSEMBLED FEEDER



560046U *

BOX FEEDERS WEANERS 6X1 SS TROUGH 121,5X74X31 CM UNASSEMBLED
UNASSEMBLED FEEDER



560052M *

BOX FEEDERS WEANERS 2X2 SS TROUGH 41,5X74X62 CM ASSEMBLED
ASSEMBLED FEEDER



560052U *

BOX FEEDERS WEANERS 2X2 SS TROUGH 41,5X74X62 CM UNASSEMBLED
UNASSEMBLED FEEDER



560053M *

BOX FEEDERS WEANERS 3X2 SS TROUGH 61,5X74X62 CM ASSEMBLED
ASSEMBLED FEEDER



560053U *

BOX FEEDERS WEANERS 3X2 SS TROUGH 61,5X74X62 CM UNASSEMBLED
UNASSEMBLED FEEDER



560054M *

BOX FEEDERS WEANERS 4X2 SS TROUGH 81,5X74X62 CM ASSEMBLED
ASSEMBLED FEEDER



560054U *

BOX FEEDERS WEANERS 4X2 SS TROUGH 81,5X74X62 CM UNASSEMBLED
UNASSEMBLED FEEDER



560055M *

BOX FEEDERS WEANERS 5X2 SS TROUGH 101,5X74X62 CM ASSEMBLED
ASSEMBLED FEEDER



560055U *

BOX FEEDERS WEANERS 5X2 SS TROUGH 101,5X74X62 CM UNASSEMBLED
UNASSEMBLED FEEDER



560056M *

BOX FEEDERS WEANERS 6X2 SS TROUGH 121,5X74X62 CM ASSEMBLED
ASSEMBLED FEEDER



560056U *

BOX FEEDERS WEANERS 6X2 SS TROUGH 121,5X74X62 CM UNASSEMBLED
UNASSEMBLED FEEDER

Box feeder - Finisher



560062M *

BOX FEEDERS FINISHER 2X1 SS TROUGH 61,5X99X39 CM ASSEMBLED
ASSEMBLED FEEDER



560062U *

BOX FEEDERS FINISHER 2X1 SS TROUGH 61,5X99X39 CM UNASSEMBLED
UNASSEMBLED FEEDER



560063M *

BOX FEEDERS FINISHER 3X1 SS TROUGH 91,5X99X39 CM ASSEMBLED
ASSEMBLED FEEDER



560063U *

BOX FEEDERS FINISHER 3X1 SS TROUGH 91,5X99X39 CM UNASSEMBLED
UNASSEMBLED FEEDER



560064M *

BOX FEEDERS FINISHER 4X1 SS TROUGH 120,5X99X39 CM ASSEMBLED
ASSEMBLED FEEDER



560064U *

BOX FEEDERS FINISHER 4X1 SS TROUGH 120,5X99X39 CM UNASSEMBLED
UNASSEMBLED FEEDER



560065M *

BOX FEEDERS FINISHER 5X1 SS TROUGH 151,5X99X39 CM ASSEMBLED
ASSEMBLED FEEDER



560065U *

BOX FEEDERS FINISHER 5X1 SS TROUGH 151,5X99X39 CM UNASSEMBLED
UNASSEMBLED FEEDER



560072M *

BOX FEEDERS FINISHER 2X2 SS TROUGH 61,5X99X80 CM ASSEMBLED
ASSEMBLED FEEDER



560072U *

BOX FEEDERS FINISHER 2X2 SS TROUGH 61,5X99X80 CM UNASSEMBLED
UNASSEMBLED FEEDER



560073M *

BOX FEEDERS FINISHER 3X2 SS TROUGH 91,5X99X80 CM ASSEMBLED
ASSEMBLED FEEDER



560073U *

BOX FEEDERS FINISHER 3X2 SS TROUGH 91,5X99X80 CM UNASSEMBLED
UNASSEMBLED FEEDER



560074M *

BOX FEEDERS FINISHER 4X2 SS TROUGH 120,5X99X80 CM ASSEMBLED
ASSEMBLED FEEDER



560074U *

BOX FEEDERS FINISHER 4X2 SS TROUGH 120,5X99X80 CM UNASSEMBLED
UNASSEMBLED FEEDER



560075M *

BOX FEEDERS FINISHER 5X2 SS TROUGH 151,5X99X80 CM ASSEMBLED
ASSEMBLED FEEDER



560075U *

BOX FEEDERS FINISHER 5X2 SS TROUGH 151,5X99X80 CM UNASSEMBLED
UNASSEMBLED FEEDER

CCM Feeder



18746

CCM MAXI TYPE II (71 L) TROUGH W/DOME, FINISHERS 25-115 KG, 30-40
ANIMALS/FEEDER



18090

CCM FEEDER MINI 40L WEANER 5-35 KG, 30-40 PER FEEDER, TROUGH Ø50/10CM
HIGH

Downpipe T-Piece



0227-591

FEED DOWNPIPE Ø63X1000 INCLUDING Ø38 T-PIECE
ACCESSORIES FOR FEEDERS



0227-592

FEED DOWNPIPE Ø63X1000 INCLUDING Ø60 T-PIECE
ACCESSORIES FOR FEEDERS



0227-593

FEED DOWNPIPE Ø63X3000 INCLUDING Ø38 T-PIECE
ACCESSORIES FOR FEEDERS



0227-594

FEED DOWNPIPE Ø63X3000 INCLUDING Ø60 T-PIECE
ACCESSORIES FOR FEEDERS



0142-015

T-PIECE WITH SLIDE, Ø38
DRYFEEDING PIPE



0232-010

T-PIECE WITH SLIDE, Ø60
ACCESSORIES FOR FEEDING PIPES



0232-009

SLIDE (BLACK)
ACCESSORIES FOR FEEDING PIPES



0232-007

SLIDE FOR T-PIECE
ACCESSORIES FOR FEEDING PIPES

Downpipe Solid Piece



90550

FEED DOWNPIPE 38 MM WITH FIXED T-PIECE
FEED PIPES



90552

FEED DOWNPIPE 50 MM WITH FIXED T-PIECE
FEED PIPES



90554

FEED DOWNPIPE 60 MM WITH FIXED T-PIECE
FEED PIPES



90571

FEED DOWNPIPE 38 MM Y- MODEL WITH FIXED T-PIECE
FEED PIPES



90573

FEED DOWNPIPE 50 MM Y-MODEL WITH FIXED T-PIECE
FEED PIPES



90574

FEED DOWNPIPE 60 MM Y-MODEL WITH FIXED T-PIECE
FEED PIPES



90560

FEED DOWNPIPE 38 MM WITH FIXED T-PIECE FOR TUBE FEEDER
FEED PIPES



90562

FEED DOWNPIPE 50 MM WITH FIXED T-PIECE FOR TUBE FEEDER
FEED PIPES



90564

FEED DOWNPIPE 60 MM WITH FIXED T-PIECE FOR TUBE FEEDER
FEED PIPES



90482
FIXED T-PIECE FOR 38 MM
ACCESSORIES FOR FEEDING PIPES



90484
FIXED T-PIECE FOR 50 MM
ACCESSORIES FOR FEEDING PIPES



90486
FIXED T-PIECE FOR 60 MM
ACCESSORIES FOR FEEDING PIPES



0228-461
SLIDE FOR OUTLET 60 MM RED



0228-462
SLIDE FOR OUTLET 60 MM BLUE

Downpipe Solid Accessories



0228-595
TELESCOP WITH DOWNPIPE



0228-588
DOWNPIPE Ø63X2 1000 MM WITH HOLE
DRYFEEDING PIPE



90268
MASTER COLLAR, PLASTIC, FOR DOWN PIPE
ACCESSORIES FOR FEEDING PIPES



90212
Y-BRANCH 63 MM 30°
ACCESSORIES FOR FEEDING PIPES

Downpipe Solid Piece - Ø75 MM Outlet



0228-488
FIXED T-PIECE 76 MM
ACCESSORIES FOR FEEDING PIPES



90249
PLASTIC DOWN TUBE 75 SPEC. LENGTH



0228-480
TELESCOP PIPE Ø80

ACCESSORIES FOR FEEDING PIPES



0228-510

Y-PIECE 75 MM 60°

ACCESSORIES FOR FEEDING PIPES

ACO FUNKI A/S general terms of sales and delivery

This price list is valid from the 1st of May 2024 and replaces all previously published price lists. All prices are gross prices excluding VAT and are subject to the following general sales and delivery terms.

ACO FUNKI A/S is not liable for misprints or product and price changes.

The sales and delivery terms stated below are valid unless a written agreement of derogation is signed between ACO FUNKI A/S and Buyer.

Drawings and product information

Drawings, wording in quotes, illustrations, technical specifications and other product information etc. are guiding and without any obligation or liability. ACO FUNKI A/S is not liable for any errors, misinterpretations, notices or laws etc.

Project material (drawings, illustrations, quotes etc.) are the property of ACO FUNKI A/S and can not be handed over to other parties without the written consent of ACO FUNKI A/S. If this requirement is not met, ACO FUNKI A/S reserves the right to invoice its internal costs.

Quotes

Quotes are made subject to prior sale and validity of quotes. Quotes specifically state validity. ACO FUNKI A/S reserves the right to withdraw any quote without any prior notice.

Prices

All prices are excluding VAT and based on all known taxes and material costs at the time of quote submission. ACO FUNKI A/S reserves the right to price regulations due to changes in taxes or material costs.

Payment terms

8 days net. Buyer is not justified to set off any claims in payments without prior written consent of ACO FUNKI A/S. Overdue payments are subject to 1.5% interest per commenced month. ACO FUNKI A/S reserves the right to require a payment guarantee at any time.

Handling fee

Orders amounting to less than 536 Euros are subject to a handling fee of 27 Euros.

Delivery terms

EXW Herring - according to Incoterms 2020. (ACO FUNKI A/S has taken out transport insurance on all deliveries, notwithstanding delivery condition.)

Time of delivery

Our time of delivery is according to agreement between Buyer and ACO FUNKI A/S.

Packing materials

The packaging fees are subject to changes in the daily price and can be changed without notice.

Currently, pallets are invoiced at 17 Euros each, and transport frames 17 Euros each. (Return is not possible due to risk of infection.)

Return of goods

Return goods are only accepted according to prior and specific agreement between Buyer and ACO FUNKI A/S. ACO FUNKI A/S only accepts return of unused, non-damaged standard goods, which have never been installed. Return goods must be in original packing. Return goods will be credited at 80% of the items' net price.

If ACO FUNKI A/S is project liable all excess items after project completion are the property of ACO FUNKI A/S.

Other terms

Mounting

Mounting is not included in quotes from ACO FUNKI A/S, unless otherwise clearly stated in the order confirmation. The same applies to all electric/construction and foundation work.

Mounting is only performed at a fixed price if the mounting site is empty, cleaned up and in an already prepared condition. It is the responsibility of the Buyer to place the material closest possible to the mounting site and to ensure an acceptable accessibility of the mounting site, in accordance with the assessment of Service and Mounting department.

If mounting coincides with other on site work performed by third party, mounting is carried out at an hourly payment rate.

ACO FUNKI A/S reserves the right to change the agreed price on projects with fixed mounting price, if the Service and mounting department does not find the mounting site properly prepared. ACO FUNKI A/S also reserves the right to invoice additional time spent on any in vain driving, wages, site cleaning, removal of goods etc.

Self-supporting cast iron, concrete slats and polymer troughs are never included in the mounting prices, except when otherwise specifically stated in the order confirmation.

All water installations end by the end of the row or on the inside of the section, except when otherwise specifically stated in the order confirmation.

When Buyer self is responsible for mounting, all adjustments to the equipment are at own risk (pipes, board profiles etc.) regardless of any acquired supervision from ACO FUNKI A/S.

Self-supporting cast iron

Due to production method fluctuations in dimensions and sizes may occur. As a result, the product may be uneven.

None of these fluctuations are of any significant importance to the product functionality. Cast iron slats are only intended for pigs and should not be exposed to any other strain.

General information

Colour difference may generally occur in the products, especially products produced of miscellaneous types of PVC/ plastic/fiber material.

The buyer holds the responsibility of storing the purchased goods under a roof so that the goods are not exposed to frost, water and direct sunlight.

Any damage as a result of incorrect storage as well as damage during transport at the place of delivery is the responsibility of the buyer.

All types of water valves are designed for a working pressure of 2.5-3.0 bar. It is the buyer's responsibility to measure and possibly regulate the water pressure.

ACO FUNKI A/S does not accept complaints on water valves used at a working pressure above 3 bar.

When extra deliveries of goods or services are requested due to alleged lacks, ACO FUNKI A/S reserves the right to invoice the goods' value as well as any other additional costs, in case a previous delivery has been made or the alleged lacks are groundless.

ACO FUNKI A/S disclaims complaint liability if any acid has been added to water/feed without prior accept. ACO FUNKI A/S also disclaims liability if the concrete indoor climate, does not meet with the standards of good indoor climate.

The description of goods should only be considered as guiding and is subject to errors. Therefore the component list is valid for the quote. If the component list is not attached to the quote, it is imposed on the Buyer to obtain it.

For all other conditions regarding deliveries excluding installation, NL92 applies, except for the last sentence of point No. 11 as well as points Nos. 13 and 14.



We give you
and your pigs
a better life



www.webshop-acofunki.aco.com

ACO FUNKI A/S | www.acofunki.com | +45 97 11 96 00 | acofunki@acofunki.dk