



FUNKI MULTISTRAW

Automatic distribution of straw



- Improves animal's welfare
- Reduces straw consumption by up to 80%
- Capacity from 1 to 10 L
- Increases milk yield
- Better udder health
- Automatic distribution of straw
- Allocation of straw several times a day
- Amount of straw is adjustable per dosing unit
- Improves the working environment
- Increases dry matter in manure to make the biogas production more efficient
- Other bedding product can also be used, e.g. sawdust

| FUNKI MULTISTRAW SYSTEM |

Automatic distribution of straw

Funki MultiStraw transports cut straw by means of the special transport system, controlled by Funki MultiController.

Along with the straw dosing units, this provides a system that can distribute straw at the desired times and amounts during the day.

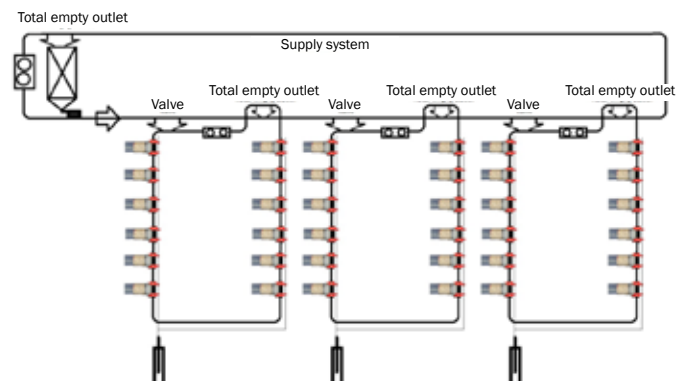


works with both
straw and
sawdust



The system is individually designed according to farm need and layout. Each line in the system has a max length of 360 meters, and it is possible to design the system in several lines according to farm layout.

In the different parts of the system, it is possible to have max 5 different automatic dosing strategies.



- Straw humidity of max 14%
- Straw with a maximum length to 40 mm
- Possibility of chopping and tearing equipment
- Other bedding product can also be used, e.g. sawdust



ACO FUNKI A/S
Kirkevænget 5
DK-7400 Herning
T. +45 9711 9600
www.acofunki.com



| FUNKI MULTISTRAW SYSTEM |

Automatic distribution of straw



Biogas

Having chopped straw increases the dry matter percentage in the manure, thereby providing a better settlement of the manure as well as an increased gas production.



Britt Brøchner-Nielsen, one of our customers, has experienced increased health conditions in the farm, and the system has been running smoothly and without any types of stops since commissioning of the system.

- The cows lay down for longer periods of time og there is more tranquility in the stable
- The milk yield has been increasing since the system was installed
- Cell count has been reduced over the period
- The cows are less stressed and theres are no disturbtions with automatic straw distribution
- Saves around 45 minutes per day



"We did it the old fashion way, with a wagon and shovel. Now, we have a Funki straw system for the cows. It saves us about 4 work-hours every week and now we have non-dust nuistance."

Scan the QR-code and learn more about Britt's experience with Funki Multistraw system:



ACO FUNKI A/S
Kirkevænget 5
DK-7400 Herning
T. +45 9711 9600
www.acofunki.com



| FUNKI MULTISTRAW SYSTEM |

Straw rivet

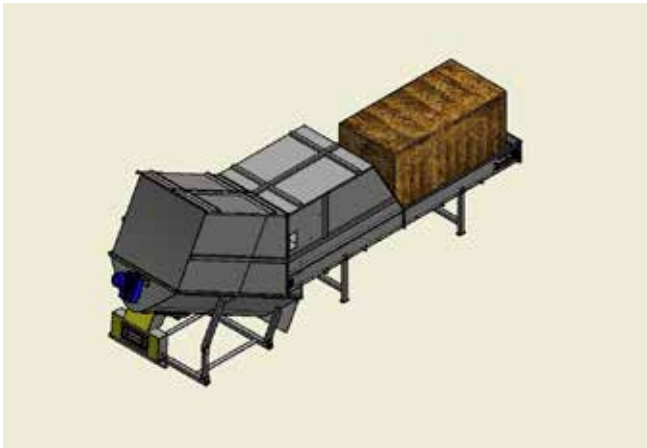


Straw rivet

- Different solutions
- Fully automatic
- Suitable for both big and round bales
- Simple and reliable
- Possible to use own straw
- Time saving
- Closed system that reduces dust nuisance

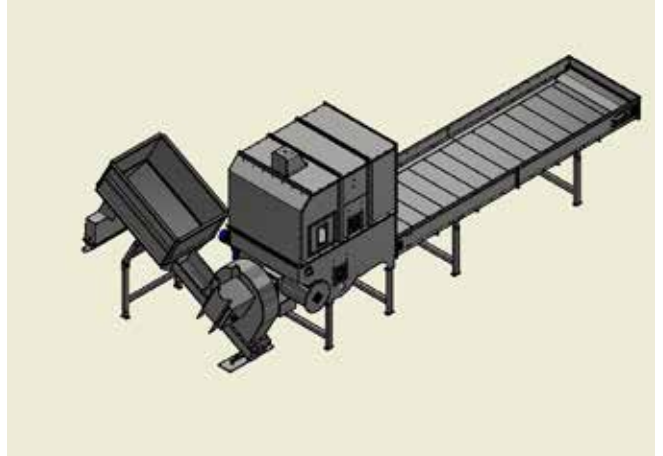


Solution with manual filling of container. It is simple and reliable. Suitable for filling with bedding, which is cut from external straw rivets and which can be purchased in sacks or loose.



Automatic solution for prechopped big bales. It is well suited for filling with big bales, which are cut with a maximum length of 40 mm.

Demolition and filling are done automatically. Band length can be increased as needed in stages of 2.5 meters.



Automatic solution for big and round bales. There are built-in straw rivets, automatic tearing and filling. Here it is possible to use your own straw bales. Band length can be increased as needed in stages of 2.5 meters. Secured with sprinkler systems.

Subject to changes in materials and design is reserved.

B-8041-GB



ACO FUNKI A/S
Kirkevænget 5
DK-7400 Herning
T. +45 9711 9600
www.acofunki.com

